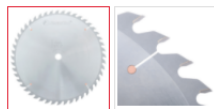


Edge of Arlington Saw & Tool, Inc.

124 South Collins
Arlington, TX 76010
Phone: 817-461-7171 • Fax: 817-795-6651
Toll Free: 888-461-7171
Email: info@eoasaw.com
Website: www.eoasaw.com

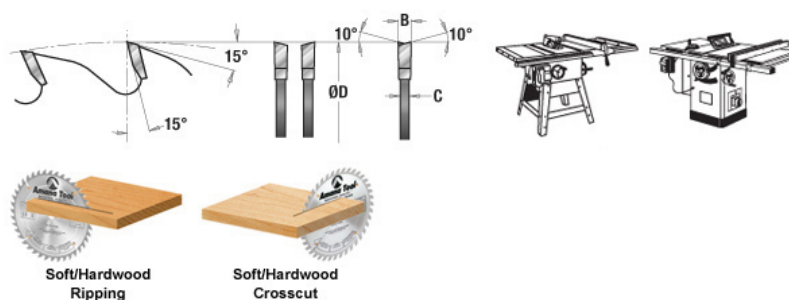


Item #616480, Amana Tool Carbide-Tipped Multi-Use Ripping/General Purpose 16 Inch Dia x 48T ATB, 15 Deg, 1" Bore **\$165.23**

Thank you for shopping with us!

This is an excellent and popular general purpose configuration blade. Its low tooth count, high hook angle, and ample gullets make it an aggressive, fast cutting ripping blade. However, its ATB grind allows it to crosscut well. A good choice for all-around use.

Warning: Before use, read saw blade safety guidelines in [Amana's catalog](#).



SPECIFICATIONS	
Manufacturer	Amana Tool
Diameter	16 in (400 mm)
Bore	1 in
Grind	ATB
Kerf	0.137 in
Note	--
Pinholes	--
Plate	.098 in
Teeth	48
Hook Angle	15 deg