

Edge of Arlington Saw & Tool, Inc.

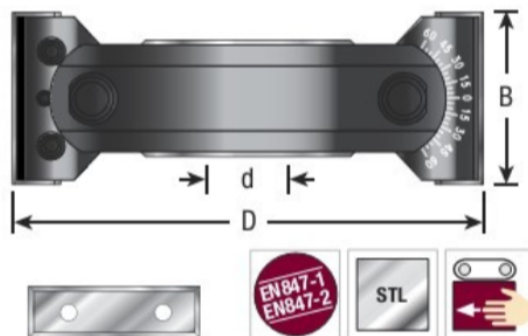
124 South Collins
Arlington, TX 76010
Phone: 817-461-7171 • Fax: 817-795-6651
Toll Free: 888-461-7171
Email: info@eoasaw.com
Website: www.eoasaw.com



Item #61310, Amana Tool Insert Carbide Aluminum Adjustable Chamfer -90 to +90 x 160mm (6-5/16) Dia x 50mm (2 in) x 1-1/4 Bore (Industrial)

\$469.56

Thank you for shopping with us! Cutterhead bodies available in hard wearing aluminum or steel, complete with tungsten carbide knives. Suitable for producing chamfer cuts at various angles in softwood, hardwood, and man-made boards on a spindle molder. Cutting angle can be adjusted in 7.5° increments by using notched scale. Fine adjustment of 1° is also possible.



SPECIFICATIONS	
Manufacturer	Amana Tool
Diameter	6 1/4 in
Bore	1 1/4 in
Cut Height, Length, or Width	2 in
Knives	ICK-50
Overall Length	6 1/4 in
RPM	4,800 to 6,000
Note	Has special mechanism to enable fine tuning angle of 1 deg