

Edge of Arlington Saw & Tool, Inc.

124 South Collins
 Arlington, TX 76010
 Phone: 817-461-7171 • Fax: 817-795-6651
 Toll Free: 888-461-7171
 Email: info@eoasaw.com
 Website: www.eoasaw.com



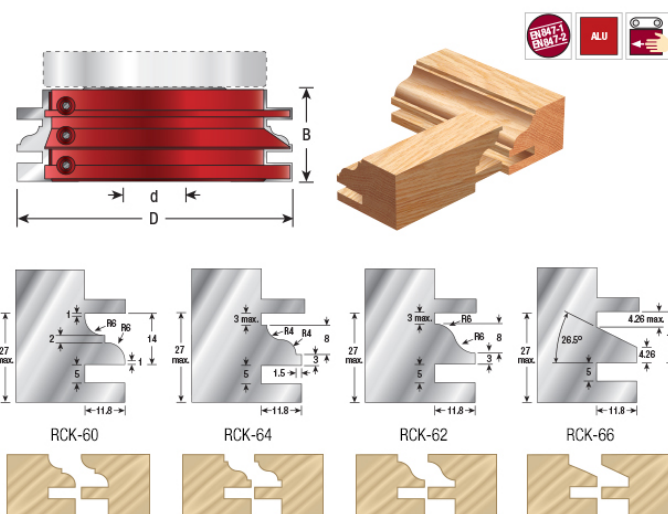
Item #61274, Amana Tool insert Carbide 2-Wing Stile & Rail 4-3/4 Dia x 1-1/2 x 1-1/4 Bore Profile #3 Steel (Industrial) \$224.33

Edge of Arlington offers free shipping in the United States when you choose flat rate shipping.

Cutterhead in hard wearing aluminum alloy with one-sided tungsten carbide knives, utilizing the same knives for both stile and rail cuts by simply adjusting the spindle height of your shaper. Same tool body accepts all four different profiles.

3mm T-handle hex key included. To change profiles, order individual knives separately. All patterns are designed for 7/8" through 1" thick materials.

Optional replacement bearing #61609 (98mm x 1 1/4" x 15mm).



SPECIFICATIONS

Diameter	120 mm 4 3/4 in
Bore	
Cut Height, Length, or Width	40 mm
Diameter (D1)	
Manufacturer	Amana Tool
Overall Length	120 mm 4 3/4 in