

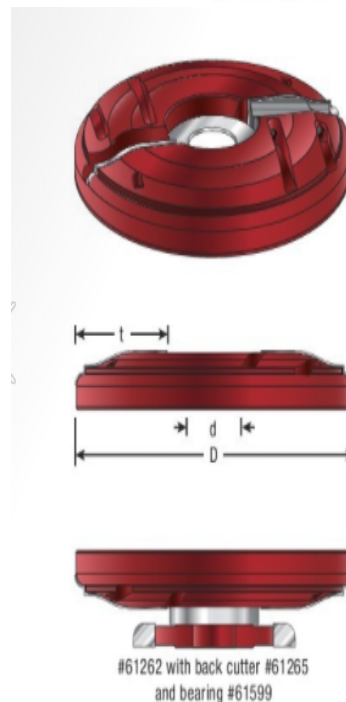
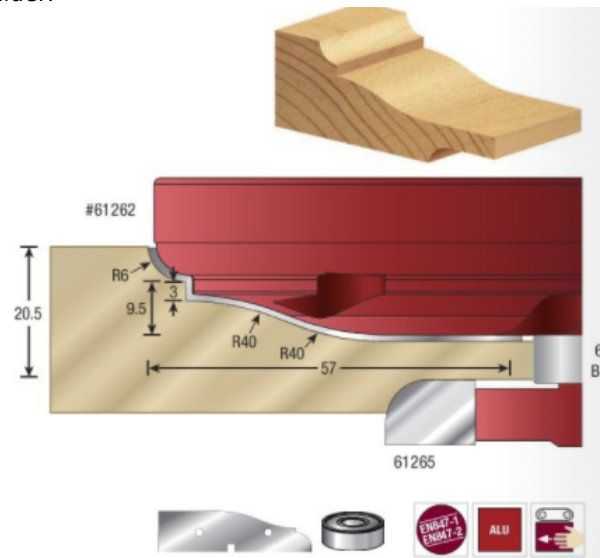
## Edge of Arlington Saw & Tool, Inc.

124 South Collins  
Arlington, TX 76010  
Phone: 817-461-7171 • Fax: 817-795-6651  
Toll Free: 888-461-7171  
Email: [info@eoasaw.com](mailto:info@eoasaw.com)  
Website: [www.eoasaw.com](http://www.eoasaw.com)



### Item #61265, Amana Tool Insert Carbide Aluminum Backcutter 104mm (4-3/32) Dia x 5/16 Radius x 18mm (23/32) x 1-1/4 Bore \$190.76

Thank you for shopping with us! Cutterhead in hard wearing aluminum, complete with tungsten carbide knives. Suitable for producing raised panel profiles in softwood, hardwood, and man-made boards on a spindle moulder.



## SPECIFICATIONS

<b>Manufacturer</b>	Amana Tool
<b>Diameter</b>	104mm (4 3/32 in)
<b>Bore</b>	1 1/4 in
<b>Cut Height, Length, or Width</b>	18mm (23/32 in)
<b>Knives</b>	RCK-132
<b>Radius</b>	5/16 in
<b>Max t</b>	--
<b>RPM</b>	7,600 to 10,000
<b>Rub Collar</b>	--
<b>Type</b>	Backcutter