

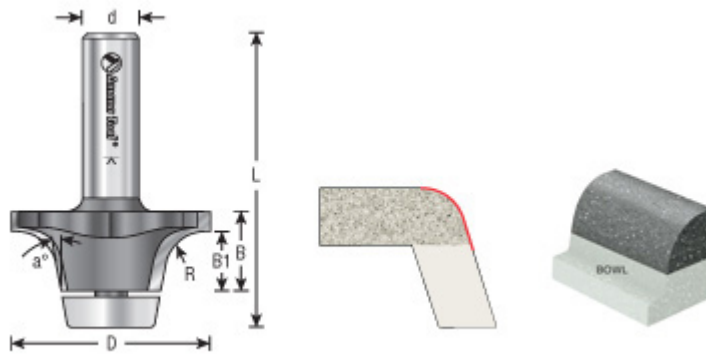
Edge of Arlington Saw & Tool, Inc.

124 South Collins
Arlington, TX 76010
Phone: 817-461-7171 • Fax: 817-795-6651
Toll Free: 888-461-7171
Email: info@eoasaw.com
Website: www.eoasaw.com



Item #57158, Amana Tool Carbide-Tipped Undermount Bowl Solid Surface for Corian® Bowls 2" Dia x 11/16" x 14 Deg x 1/2" Shank w/Ultra-Glide™ Ball Bearing Guide \$160.50

Thank you for shopping with us! For Corian® Bowl numbers: 874S, 810AS, 850, 857B, 859S, 871S, 872S, 891S, 893S These bits are designed specifically for use in undermount installations of Corian® bowl #874S. They trim and profile the countertop edges after the bowl is mounted.



SPECIFICATIONS

Manufacturer	Amana Tool
Diameter	2 in
Cut Height, Length, or Width	11/16 in
Cut Depth	1/2 in
Replacement Parts	Includes #5009 1/8 in hex key and #67146 special flathead machine screw
Flute	2 w/Nylon Bearing
Bearing(s)	Ultra-Glide bearing assembly #47731
Note	Replacement Ultra-Glide; bearing assembly #47731 (includes #5009 1/8 in hex key and #67146 special flathead machine screw).
Overall Length	2 1/2 in
Radius	1/2 in
Shank	1/2 in
Type	Roundover

SPECIFICATIONS

Usage/System	For Corian Bowls
---------------------	------------------

Angle	14 deg
--------------	--------