

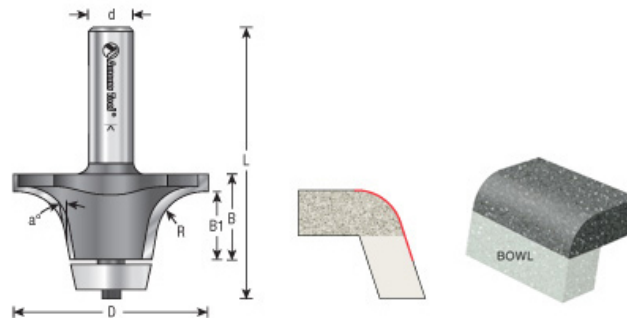
Edge of Arlington Saw & Tool, Inc.

124 South Collins
Arlington, TX 76010
Phone: 817-461-7171 • Fax: 817-795-6651
Toll Free: 888-461-7171
Email: info@eoasaw.com
Website: www.eoasaw.com



Item #57128, Amana Tool Carbide-Tipped Undermount Bowl Solid Surface 2-1/8 Dia x 1 Inch x 1/2 Radius x 18 Deg x 1/2 Shank w/Ultra-Glide™ Ball Bearing Guide - Roundover **\$107.63**

Thank you for shopping with us! These bits prepare and/or finish countertop edges in conjunction with undermount bowl installations. The roundover and ogee bits trim and profile the countertop edges after the bowl is mounted. The bevel bit trims the sink cut-out flush with an installed undermount bowl, but it also can be used with a template to prepare a sink cut-out for a bevel-mount bowl. All these tools can be used for undermount applications of Corian® sink and bowl #'s 802S, 804S, 805S, 809S, and 871S.



SPECIFICATIONS

Manufacturer	Amana Tool
Bearing(s)	Ultra-Glide bearing assembly #47726
Cut Depth	1/2 in
Cut Height, Length, or Width	1 in
Replacement Parts	Includes #5003 5/32 in hex key & #67093 Allen screw
B1	3/4 in
Flute	2 w/Nylon Bearing
Note	--
Overall Length	3 in
Radius	1/2 in
Shank	1/2 in

SPECIFICATIONS

Type	Roundover
-------------	-----------

Angle	18 deg
--------------	--------