

Edge of Arlington Saw & Tool, Inc.

124 South Collins
Arlington, TX 76010
Phone: 817-461-7171 • Fax: 817-795-6651
Toll Free: 888-461-7171
Email: info@eoasaw.com
Website: www.eoasaw.com

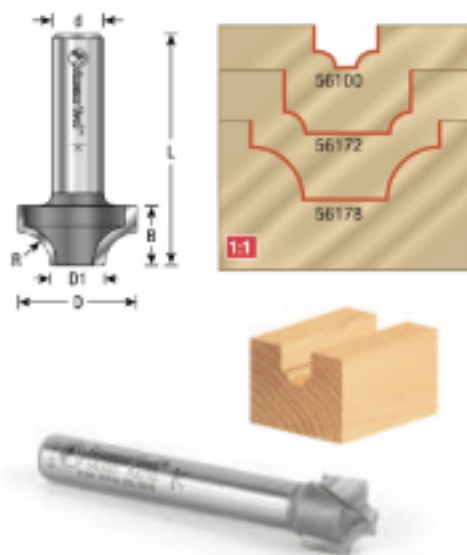


Item #56179-CNC, Amana Tool Carbide-Tipped Plunge Beading 3/8" Radius x 1 1/4" Dia x 5/8" x 1/2" Shank Router Bit \$69.71

Thank you for shopping with us!

Quarter-round profiles are formed by this bit as it grooves, one on each side of a flat. Used with a fence or edge guide, this beading bit can be used as an edge former.

Warning: 56179-CNC has an open flute design (not anti-kickback) and is intended for high feed-rate CNC machine use only. Do not use in portable routers. **Not for use in a handheld router!**



SPECIFICATIONS

Diameter	1 1/4 in
Cut Height, Length, or Width	5/8 in
Diameter (D1)	1/2 in
Flute	2
Overall Length	2 9/16 in
Radius	3/8 in

SPECIFICATIONS

Shank	1/2 in
Note	Warning: 56179-CNC has an open flute design (not anti-kickback) and is intended for high feed-rate CNC machine use only. Do not use in portable routers. Not for use in a handheld router
Manufacturer	Amana Tool