

Edge of Arlington Saw & Tool, Inc.

124 South Collins
Arlington, TX 76010
Phone: 817-461-7171 • Fax: 817-795-6651
Toll Free: 888-461-7171
Email: info@eoasaw.com
Website: www.eoasaw.com



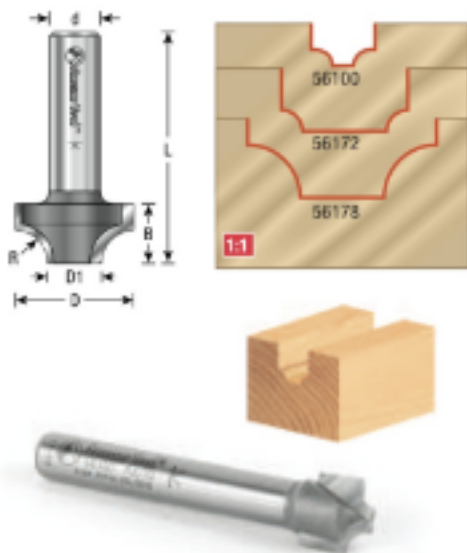
Item #56178, Amana Tool Carbide-Tipped Plunge Beading 5/16" Radius x 1 1/8" Dia x 9/16" x 1/2" Shank Router Bit \$50.21

Thank you for shopping with us!

Quarter-round profiles are formed by this bit as it grooves, one on each side of a flat. Used with a fence or edge guide, this beading bit can be used as an edge former.

#56178 - **Warning:** Maximum RPM = 14,000

Use in a table mounted router. **Not for use in a handheld router!**



SPECIFICATIONS

Diameter	1 1/8 in
Cut Height, Length, or Width	9/16 in
Diameter (D1)	1/2 in
Flute	2
Overall Length	2 3/4 in
Radius	5/16 in
Shank	1/2 in

SPECIFICATIONS

Note	Warning: Maximum RPM = 14,000. Use in a table-mounted router; not for use in a handheld router!
Manufacturer	Amana Tool