

Edge of Arlington Saw & Tool, Inc.

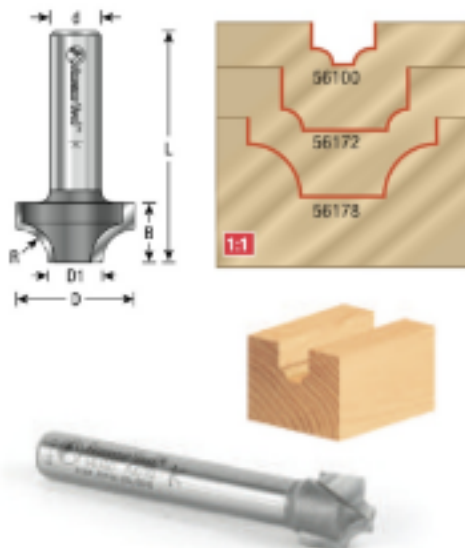
124 South Collins
Arlington, TX 76010
Phone: 817-461-7171 • Fax: 817-795-6651
Toll Free: 888-461-7171
Email: info@eoasaw.com
Website: www.eoasaw.com



Item #56172, Amana Tool Carbide-Tipped Plunge Beading 1/8" Radius x 3/4" Dia x 3/8" x 1/4" Shank Router Bit \$37.69

Thank you for shopping with us!

Quarter-round profiles are formed by this bit as it grooves, one on each side of a flat. Used with a fence or edge guide, this beading bit can be used as an edge former.



SPECIFICATIONS

Diameter	3/4 in
Cut Height, Length, or Width	3/8 in
Diameter (D1)	1/2 in
Flute	2
Overall Length	2 in
Radius	1/8 in
Shank	1/4 in
Note	--
Manufacturer	Amana Tool