

## Edge of Arlington Saw & Tool, Inc.

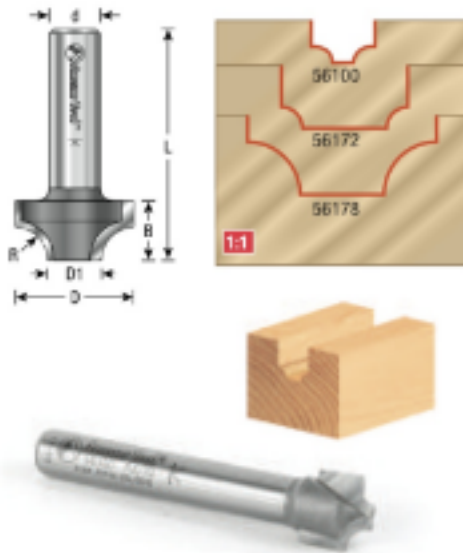
124 South Collins  
Arlington, TX 76010  
Phone: 817-461-7171 • Fax: 817-795-6651  
Toll Free: 888-461-7171  
Email: [info@eoasaw.com](mailto:info@eoasaw.com)  
Website: [www.eoasaw.com](http://www.eoasaw.com)



### Item #56170, Amana Tool Carbide-Tipped Plunge Beading 1/8" Radius x 1/2" Dia x 3/8" x 1/4" Shank Router Bit **\$37.69**

Thank you for shopping with us!

Quarter-round profiles are formed by this bit as it grooves, one on each side of a flat. Used with a fence or edge guide, this beading bit can be used as an edge former.



## SPECIFICATIONS

<b>Diameter</b>	1/2 in
<b>Cut Height, Length, or Width</b>	3/8 in
<b>Diameter (D1)</b>	1/4 in
<b>Flute</b>	4
<b>Overall Length</b>	1 7/8 in
<b>Radius</b>	1/8 in
<b>Shank</b>	1/4 in
<b>Note</b>	--
<b>Manufacturer</b>	Amana Tool