

Edge of Arlington Saw & Tool, Inc.

124 South Collins
Arlington, TX 76010
Phone: 817-461-7171 • Fax: 817-795-6651
Toll Free: 888-461-7171
Email: info@eoasaw.com
Website: www.eoasaw.com

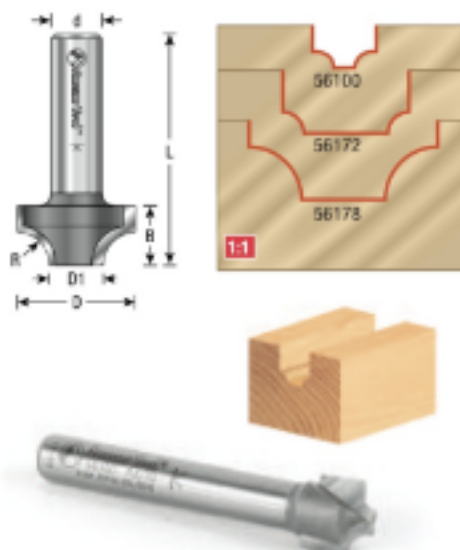


Item #56100, Amana Tool Carbide-Tipped Plunge Beading 3/32" Radius x 3/8" Dia x 5/16" x 1/4" Shank Router Bit

\$28.69

Thank you for shopping with us!

Quarter-round profiles are formed by this bit as it grooves, one on each side of a flat. Used with a fence or edge guide, this beading bit can be used as an edge former.



SPECIFICATIONS

Diameter	25/64 in
Cut Height, Length, or Width	23/64 in
Diameter (D1)	1/8 in
Flute	3
Overall Length	1 29/32 in
Radius	3/32 in
Shank	1/4 in

SPECIFICATIONS

Note

--

Manufacturer

Amana Tool