

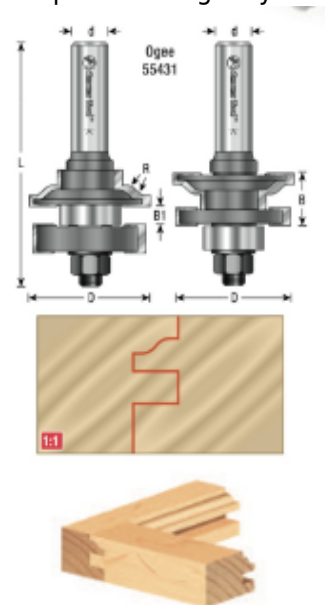
Edge of Arlington Saw & Tool, Inc.

124 South Collins
Arlington, TX 76010
Phone: 817-461-7171 • Fax: 817-795-6651
Toll Free: 888-461-7171
Email: info@eoasaw.com
Website: www.eoasaw.com



Item #55431, Amana Tool Carbide-Tipped 2-Piece Ogee Stile & Rail 1-5/8" Dia x 11/16" CH x 1/4" Radius x 1/2" Shank Set \$176.36

Thank you for shopping with us! Amana Tool Carbide-Tipped 2-Piece Ogee Stile & Rail 1-5/8" Dia x 11/16" CH x 1/4" Radius x 1/2" Shank Set Our stile & rail sets give you two complete bits: one for doing the rail cuts and one for the stiles. Make cabinet doors and all varieties of frame-and-panel assemblies for furniture and architectural applications. These sets are offered in two configurations—one for working material up to 1" thick and the other for material between 5/8" and 7/8" thick. The same three profiles are available in either configuration. **3/4" Material** Bits in this set have profile and groove or rabbet cutters and ball bearing guide mounted on a 1/2" shank. Respacing of the components should only be necessary—using the provided shims—after the cutters have been resharpened. Use in a table-mounted router. Guide straight cuts with the fence; use the pilot bearing only for



cuts on curved rails or stiles.

SPECIFICATIONS

Manufacturer	Amana Tool
Diameter	1 5/8 in
B1	1/4 in

SPECIFICATIONS

Cut Height, Length, or Width	11/16 in
Material	3/4 in Material
Overall Length	3 1/8 in
Radius	1/4 in
Shank	1/2 in
Type	Ogee
Wings	2-Wing w/Ball Bearing Guide