

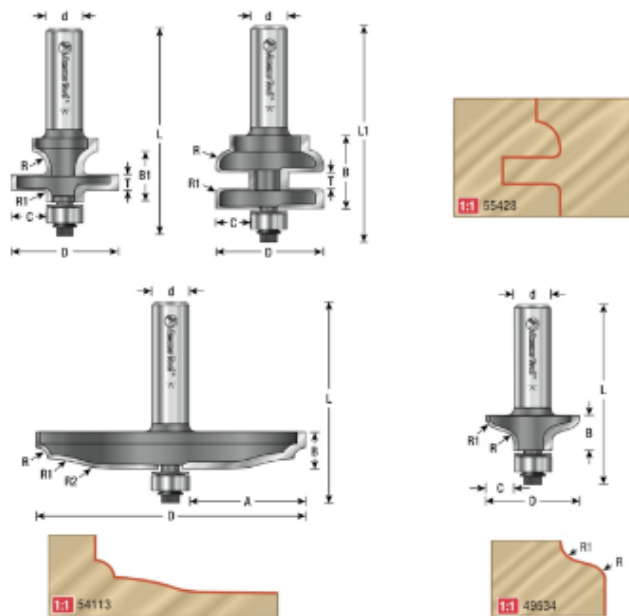
**Edge of Arlington Saw & Tool, Inc.**

124 South Collins  
 Arlington, TX 76010  
 Phone:817-461-7171 • Fax: 817-795-6651  
 Toll Free: 888-461-7171  
 Email: [info@eoasaw.com](mailto:info@eoasaw.com)  
 Website: [www.eoasaw.com](http://www.eoasaw.com)



**Item #55428, Amana Tool Carbide-Tipped 2-Piece Architectural Stile and Rail 1-15/32" Dia x 1" CH x 1/2" Shank Set \$116.63**

Thank you for shopping with us! Amana Tool Carbide-Tipped 2-Piece Architectural Stile and Rail 1-15/32" Dia x 1" CH x 1/2" Shank Set



55428:

SPECIFICATIONS	
<b>Manufacturer</b>	Amana Tool
<b>Diameter</b>	1 15/32 in
<b>B1</b>	55/64 in
<b>Cut Height, Length, or Width</b>	1 in
<b>Cut Depth</b>	1/2 in
<b>Flute</b>	2 w/Bearing
<b>Overall Length</b>	2 1/2 in
<b>Radius</b>	1/4 in
<b>R1/Radius</b>	5/64 in

## SPECIFICATIONS

<b>Shank</b>	1/2 in
<b>R2/Radius</b>	--
<b>Type</b>	Stile & Rail Set
<b>Bearing(s)</b>	47706