

## Edge of Arlington Saw & Tool, Inc.

124 South Collins  
Arlington, TX 76010  
Phone: 817-461-7171 • Fax: 817-795-6651  
Toll Free: 888-461-7171  
Email: [info@eoasaw.com](mailto:info@eoasaw.com)  
Website: [www.eoasaw.com](http://www.eoasaw.com)

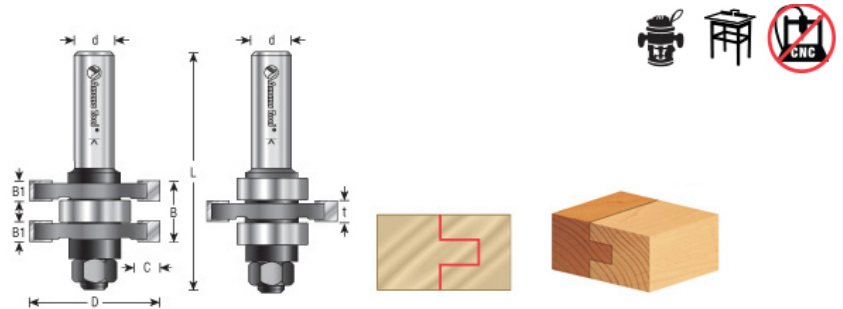


### Item #55408, Amana Tool 2-Piece Set Carbide-Tipped Tongue & Groove 3/8" Kerf x 1-5/8" Dia x 1/2" Shank for 3/8" - 1/2" Material 2-Wing w/Ball Bearing Guide \$146.93

Thank you for shopping with us!

Amana Tool 2-Piece Set Carbide-Tipped Tongue & Groove 3/8" Kerf x 1-5/8" Dia x 1/2" Shank for 3/8" - 1/2" Material 2-Wing w/Ball Bearing Guide

Each set contains two complete tongue & groove assemblies—one to cut tongues, one to cut slots.



55408 can be used on 3/8" through 1/2" thick material.

## SPECIFICATIONS

<b>Manufacturer</b>	Amana Tool
<b>Bearing(s)</b>	47708 (2 required)
<b>Diameter</b>	1 5/8 in
<b>Cut Height, Length, or Width</b>	17/32 in
<b>Kerf</b>	1/8 in
<b>Overall Length</b>	3 in
<b>Shank</b>	1/2 in
<b>Wings</b>	2-Wing w/Ball Bearing Guide