

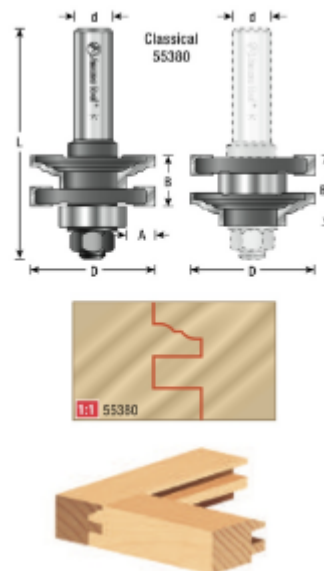
Edge of Arlington Saw & Tool, Inc.

124 South Collins
Arlington, TX 76010
Phone: 817-461-7171 • Fax: 817-795-6651
Toll Free: 888-461-7171
Email: info@eoasaw.com
Website: www.eoasaw.com



Item #55380, Amana Tool Carbide-Tipped Classical Reversible Stile and Rail Assembly 1-5/8" Dia x 11/16" CH x 1/2" Shank \$90.49

Thank you for shopping with us! Amana Tool Carbide-Tipped Classical Reversible Stile and Rail Assembly 1-5/8" Dia x 11/16" CH x 1/2" Shank Cut both the stiles & rails with a single economical assembly. Switch from the stile cut to the rail cut simply by rearranging the cutters and bearing on the arbor. Because the profile and the cope are cut with the same cutter, the result is a perfect fit. The assembly order for each setup is shown in the images. Use in a table-mounted router. Guide straight cuts with the fence and use the pilot bearing only for cuts on curved rails or stiles. Stile & Rail assemblies can be used on 5/8" through



7/8" material.

SPECIFICATIONS

Manufacturer	Amana Tool
Cut Depth	3/8 in
Diameter	1 5/8 in

SPECIFICATIONS

Cut Height, Length, or Width	11/16 in
B1	7/8 in
Overall Length	3 in
Shank	1/2 in
Wings	2-Wing w/Ball Bearing Guide