

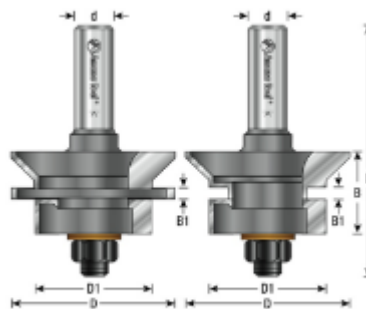
Edge of Arlington Saw & Tool, Inc.

124 South Collins
Arlington, TX 76010
Phone: 817-461-7171 • Fax: 817-795-6651
Toll Free: 888-461-7171
Email: info@eoasaw.com
Website: www.eoasaw.com

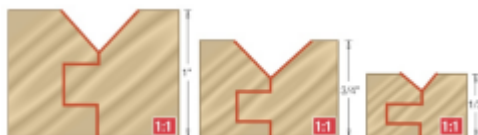


Item #55346, Amana Tool Carbide-Tipped Adjustable 'V' Panel 2-11/64" Dia x 1-1/8" x 1/2" Shank 2-Wing \$158.81

Thank you for shopping with us! Amana Tool Carbide Tipped Adjustable 'V' Panel 2-11/64" Dia x 1-1/8" x 1/2" Shank 2-Wing. This assembly is designed to create attractive 'V' groove paneling. Included in this set are spaces to produce 'V' paneling from 1/2" ,



3/4" , or 1" thick stock.



SPECIFICATIONS

Manufacturer	Amana Tool
Diameter	2 11/64 in
B1	5/32 in to 5/16 in
Cut Height, Length, or Width	1 1/8 in
Diameter (D1)	1 37/64 in
Overall Length	3 3/8 in
Shank	1/2 in
Wings	2-Wing