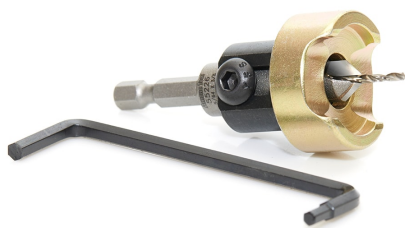


Edge of Arlington Saw & Tool, Inc.

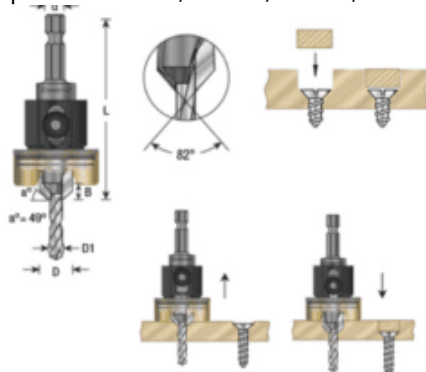
124 South Collins
Arlington, TX 76010
Phone: 817-461-7171 • Fax: 817-795-6651
Toll Free: 888-461-7171
Email: info@eoasaw.com
Website: www.eoasaw.com

Item #55241, Amana Tool Carbide-Tipped Carbide Tipped 82 Degree Countersink with Adjustable Depth Stop and No- Thrust Ball Bearing, 3/8 Dia x 7/64 Drill Dia x 1/4 Inch Quick Release Hex Shank

\$42.53



Thank you for shopping with us! A must have tool for every woodworker! Includes drill (slow spiral, High-Speed-Steel (HSS) M2 fully ground drill bit). Features an adjustable, heavy-duty, revolving depth-stop with a strong thrust ball bearing for quick and easy adjustment of the countersink depth without scratching or burning surfaces. It also has an open space to allow for chip evacuation. The user friendly design enables control of the drill length and its replacement, without the need to disassemble the depth-stop. Enables users to drill a pilot hole and tapered countersink in one step. The adjustable depth-stop and independent stop collar prevent marking of the workpiece and perfect countersink depth control. 2-Wing Quick release 1/4" hex shank Slow spiral, HSS M2 fully ground drill bit included Excellent for Drilling: Natural Woods Man-Made Boards MDF Chipboard Plywood Aluminum/Non-Ferrous* Aluminum Composite Material (ACM) Composites Composite Decking Materials High Density Polyethylene (HDPE) Warning: When drilling aluminum/non-ferrous materials, for optimal results and extended tool life use lubricant or air cooling. Make sure the material is fixed and drill is stable during drilling. Disconnect from any vacuum system. Using Low RPM is recommended. Replacement parts: 630-220, 67070, 67083, 5019



SPECIFICATIONS

Manufacturer	Amana Tool
Diameter	3/8 in
Cut Height, Length, or Width	3/64-3/8 in
Diameter (D1)	7/64 in
Replacement Parts	Drill 630-224; set screws 67070, 67083; hex key 5019

SPECIFICATIONS

Hex Shank	1/4 in
Overall Length	2 5/8 in
Screw Size	#6
Wings	2
Angle	49 deg
Includes	Double-sided hex key