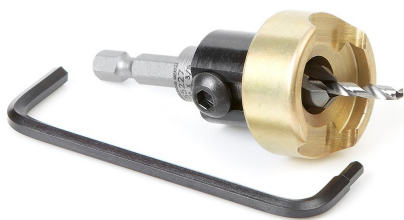


## Edge of Arlington Saw & Tool, Inc.

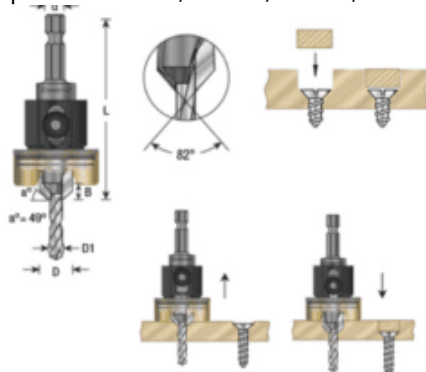
124 South Collins  
Arlington, TX 76010  
Phone: 817-461-7171 • Fax: 817-795-6651  
Toll Free: 888-461-7171  
Email: [info@eoasaw.com](mailto:info@eoasaw.com)  
Website: [www.eoasaw.com](http://www.eoasaw.com)

### Item #55227, Amana Tool Carbide-Tipped 82 Degree Countersink with Adjustable Depth Stop and No-Thrust Ball Bearing 3/8 Dia x 1/8 Drill Dia x 1/4 Inch Quick Release Hex Shank

**\$42.53**



Thank you for shopping with us! A must have tool for every woodworker! Includes drill (slow spiral, High-Speed-Steel (HSS) M2 fully ground drill bit). Features an adjustable, heavy-duty, revolving depth-stop with a strong thrust ball bearing for quick and easy adjustment of the countersink depth without scratching or burning surfaces. It also has an open space to allow for chip evacuation. The user friendly design enables control of the drill length and its replacement, without the need to disassemble the depth-stop. Enables users to drill a pilot hole and tapered countersink in one step. The adjustable depth-stop and independent stop collar prevent marking of the workpiece and perfect countersink depth control. 2-Wing Quick release 1/4" hex shank Slow spiral, HSS M2 fully ground drill bit included Excellent for Drilling: Natural Woods Man-Made Boards MDF Chipboard Plywood Aluminum/Non-Ferrous\* Aluminum Composite Material (ACM) Composites Composite Decking Materials High Density Polyethylene (HDPE) Warning: When drilling aluminum/non-ferrous materials, for optimal results and extended tool life use lubricant or air cooling. Make sure the material is fixed and drill is stable during drilling. Disconnect from any vacuum system. Using Low RPM is recommended. Replacement parts: 630-220, 67070, 67083, 5019



## SPECIFICATIONS

<b>Manufacturer</b>	Amana Tool
<b>Diameter</b>	3/8 in
<b>Cut Height, Length, or Width</b>	3/64-3/8 in
<b>Diameter (D1)</b>	1/8 in
<b>Replacement Parts</b>	Drill 630-226; set screws 67070, 67083; hex key 5019

## SPECIFICATIONS

<b>Hex Shank</b>	1/4 in
<b>Overall Length</b>	2 5/8 in
<b>Screw Size</b>	#6
<b>Wings</b>	2
<b>Angle</b>	49 deg
<b>Includes</b>	Double-sided hex key