

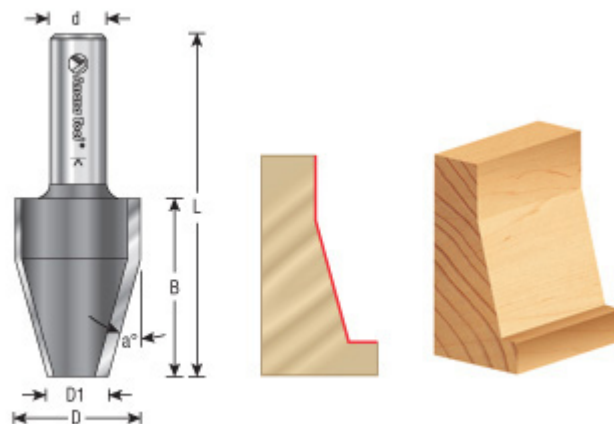
## Edge of Arlington Saw & Tool, Inc.

124 South Collins  
Arlington, TX 76010  
Phone: 817-461-7171 • Fax: 817-795-6651  
Toll Free: 888-461-7171  
Email: [info@eoasaw.com](mailto:info@eoasaw.com)  
Website: [www.eoasaw.com](http://www.eoasaw.com)



### Item #54532, Amana Tool Carbide-Tipped Traditional Vertical Raised Panel 15 Deg x 1-1/8 Dia x 1/2 Inch Shank \$68.33

Thank you for shopping with us! Amana Tool Carbide-Tipped Traditional Vertical Raised Panel 15 Deg x 1-1/8 Dia x 1/2 Inch Shank Raised panels with a low horsepower, fixed speed router using these patented VERTICAL raised panel bits. You must do the work on a router table, with the work on edge, braced against the fence. Arched or curved shapes (i.e. "cathedral" door panels) cannot be routed. To prolong tool life and achieve the best cut finish, several passes are recommended.



## SPECIFICATIONS

<b>Manufacturer</b>	Amana Tool
<b>Diameter</b>	1 1/8 in
<b>Cut Height, Length, or Width</b>	1 5/8 in
<b>Diameter (D1)</b>	19/32 in
<b>Flute</b>	2
<b>Overall Length</b>	3 1/8 in
<b>R1/Radius</b>	--
<b>Shank</b>	1/2 in
<b>R2/Radius</b>	--
<b>Angle</b>	15 deg
<b>Type</b>	Traditional

## SPECIFICATIONS

**R3/Radius**

--