

Edge of Arlington Saw & Tool, Inc.

124 South Collins
Arlington, TX 76010
Phone: 817-461-7171 • Fax: 817-795-6651
Toll Free: 888-461-7171
Email: info@eoasaw.com
Website: www.eoasaw.com

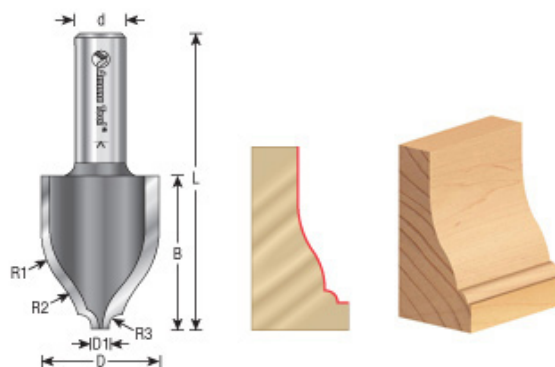


Item #54528, Amana Tool Carbide Tipped Ogee with Bead Vertical Raised Panel 7/8 Radius x 1-3/16 Dia x 1/2 Inch Shank \$56.40

Thank you for shopping with us!

Amana Tool Carbide Tipped Ogee with Bead Vertical Raised Panel 7/8 Radius x 1-3/16 Dia x 1/2 Inch Shank

Raised panels with a low horsepower, fixed speed router using these patented VERTICAL raised panel bits. You must do the work on a router table, with the work on edge, braced against the fence. Arched or curved shapes (i.e. "cathedral" door panels) cannot be routed. To prolong tool life and achieve the best cut finish, several passes are recommended.



SPECIFICATIONS

Manufacturer	Amana Tool
Diameter	1 3/16 in
Cut Height, Length, or Width	1 5/8 in
Diameter (D1)	3/16 in
Flute	2
Overall Length	3 1/8 in
R1/Radius	7/8 in
Shank	1/2 in

SPECIFICATIONS

R2/Radius	23/32 in
Angle	--
Type	Ogee w/Bead
R3/Radius	1/8 in