

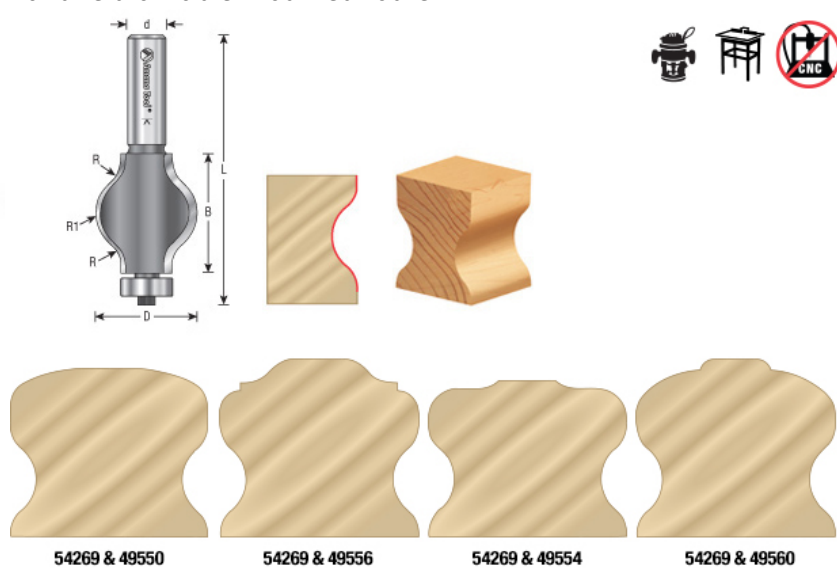
Edge of Arlington Saw & Tool, Inc.

124 South Collins
 Arlington, TX 76010
 Phone: 817-461-7171 • Fax: 817-795-6651
 Toll Free: 888-461-7171
 Email: info@eoasaw.com
 Website: www.eoasaw.com



Item #54262, Amana Tool Handrail Carbide-Tipped 1 3/8" D x 1/8" R x 1/2" 2-Flute w/Ball Bearing Guide \$93.30

Thank you for shopping with us! Amana Tool Handrail Carbide-Tipped 1 3/8" D x 1/8" R x 1/2" 2-Flute w/Ball Bearing Guide Shape the sides of a handrail to make it both attractive and easy to grip. (Then ease the top edges with table edge bits.) Use in a handheld or table-mounted router.



Replacement bearing #54262 use 47706

SPECIFICATIONS

Manufacturer	Amana Tool
Diameter	1 3/8 in
Cut Height, Length, or Width	1 1/2 in
Bearing(s)	47706, Amana Tool 3/16 ID x 1/2 OD x .195 Thick Steel Ball Bearing Guide
Flute	2 w/Bearing
Overall Length	3 3/8 in
Radius	1/8 in
Shank	1/2 in