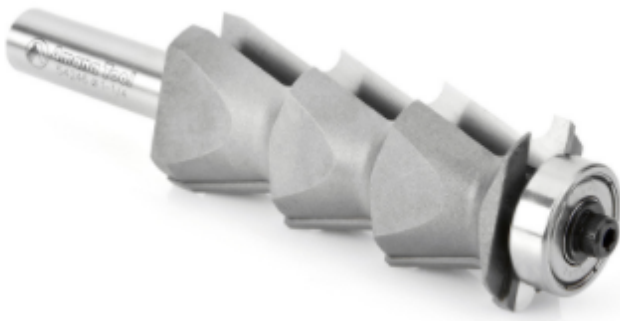


## Edge of Arlington Saw & Tool, Inc.

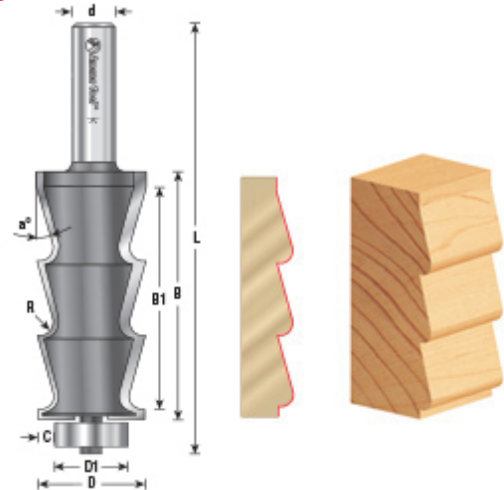
124 South Collins  
Arlington, TX 76010  
Phone: 817-461-7171 • Fax: 817-795-6651  
Toll Free: 888-461-7171  
Email: [info@eoasaw.com](mailto:info@eoasaw.com)  
Website: [www.eoasaw.com](http://www.eoasaw.com)



### Item #54246, Amana Tool Carbide-Tipped Louver / Shutter 5/32 Radius x 1-1/4 Dia x 1/2 Inch Shank 2-Flute w/Ball Bearing Guide **\$89.68**

Thank you for shopping with us! Amana Tool Carbide-Tipped Louver / Shutter 5/32 Radius x 1-1/4 Dia x 1/2 Inch Shank 2-Flute w/Ball Bearing Guide Create custom louver doors. Now you can easily simulate the timeless look of wooden shutters (louvers) with this new industrial quality router bit.

**Warning:** Maximum RPM = 12,000



## SPECIFICATIONS

<b>Manufacturer</b>	Amana Tool
<b>Bearing(s)</b>	47776, Amana Tool Steel Ball Bearing Guide 22mm Overall Dia x 8mm Inner Dia x 7mm Height for #54246
<b>Diameter</b>	1 1/4 in
<b>Cut Height, Length, or Width</b>	2 29/32 in
<b>Diameter (D1)</b>	22mm
<b>Flute</b>	2 w/Bearing
<b>Overall Length</b>	5 5/32 in
<b>Radius</b>	5/32 in
<b>Shank</b>	1/2 in

## SPECIFICATIONS

<b>Angle</b>	15 °
<b>B1</b>	2 9/32 in
<b>RPM</b>	Max 12,000