

Edge of Arlington Saw & Tool, Inc.

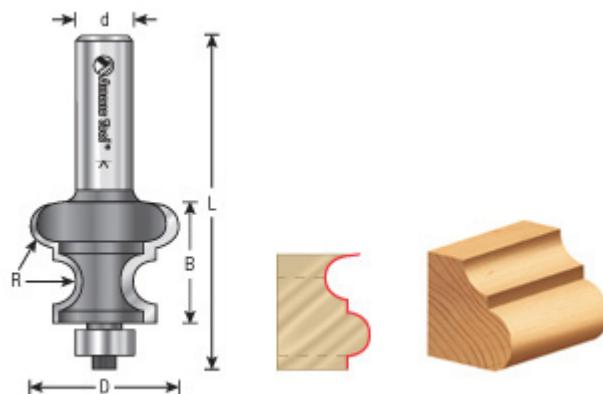
124 South Collins
Arlington, TX 76010
Phone: 817-461-7171 • Fax: 817-795-6651
Toll Free: 888-461-7171
Email: info@eoasaw.com
Website: www.eoasaw.com



Item #54186, Amana Tool Matched Bead Carbide-Tipped 1 1/4" Dia x 3/16" Radius x 1" CH x 1/2" Shk 2-Flute w/Ball Bearing Guide

\$117.19

Thank you for shopping with us! Amana Tool Matched Bead Carbide-Tipped 1 1/4" Dia x 3/16" Radius x 1" CH x 1/2" Shk 2-Flute w/Ball Bearing Guide This dual-purpose bit produces both moldings and joints. Use in place of matched flute and bead bit sets to mill the edges of strips used in various stave constructions such as planters, canoes, and hot tubs. Switch from fluting to beading by raising or lowering the bit. Pilot bearing allows use for template-guided cuts. Recommended for router table use; smaller sizes can be used with an edge guide equipped portable router. Replacement bearing for #54186 use #47706



SPECIFICATIONS

Manufacturer	Amana Tool
Bearing(s)	47706
Diameter	1 1/4 in
Cut Height, Length, or Width	1 in
Flute	2 w/Bearing
Overall Length	2 7/8 in
Radius	3/16 in
Shank	1/2 in