

Edge of Arlington Saw & Tool, Inc.

124 South Collins
Arlington, TX 76010
Phone: 817-461-7171 • Fax: 817-795-6651
Toll Free: 888-461-7171
Email: info@eoasaw.com
Website: www.eoasaw.com

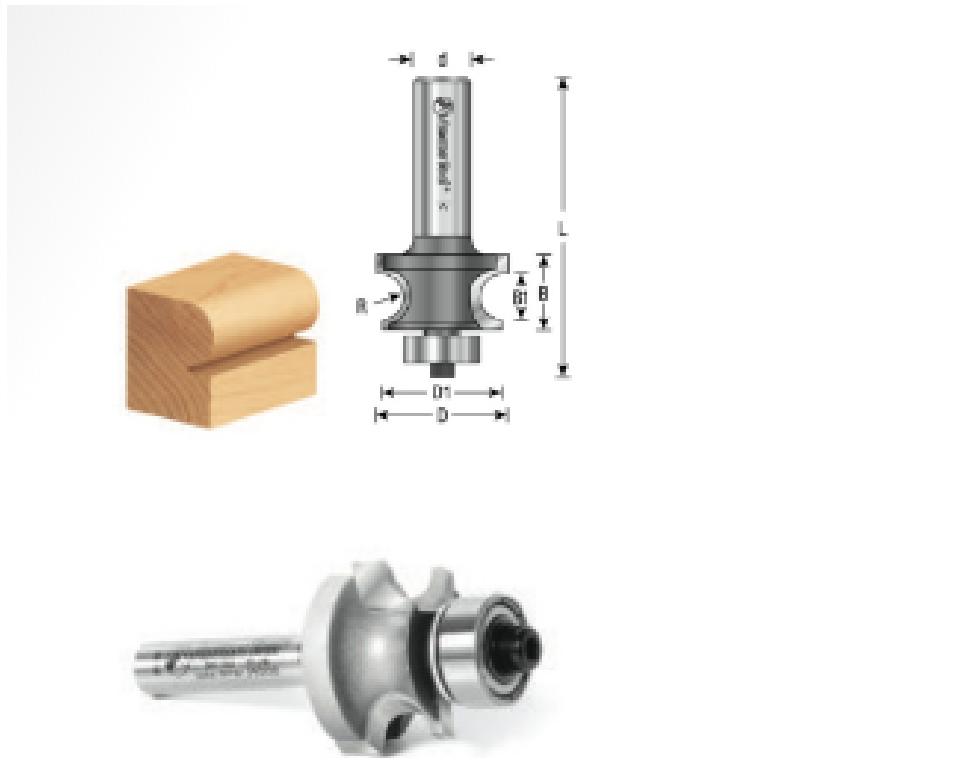


Item #54161, Amana Tool Carbide-Tipped Corner Round 1/16" Radius x 45/64" Dia x 5/16" x 1/4" Shank \$47.85

Thank you for shopping with us! Produce three slightly different profiles using this bit—an edge bead with or without a fillet and a full corner bead—by altering the bit extension or rolling the workpiece between passes. This group of hard-to-find tools is particularly suitable for antique reproductions and restoration projects. Use in a



handheld or table-mounted router.



SPECIFICATIONS

Manufacturer	Amana Tool
Diameter	45/64 in
B1	1/8 in
Cut Height, Length, or Width	5/16 in

SPECIFICATIONS

Diameter (D1)	5/8 in
Flute	2 w/Bearing
Overall Length	1 11/16 in
Radius	1/16 in
Shank	1/4 in
Bearing(s)	47716