

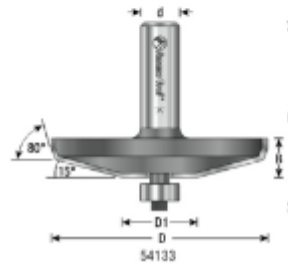
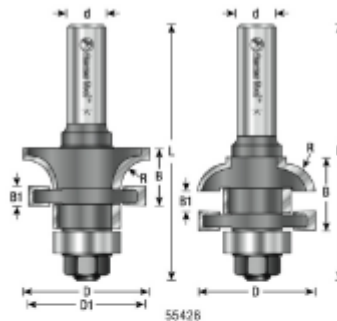
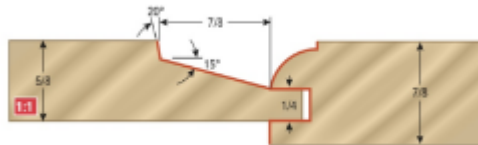
## Edge of Arlington Saw & Tool, Inc.

124 South Collins  
Arlington, TX 76010  
Phone: 817-461-7171 • Fax: 817-795-6651  
Toll Free: 888-461-7171  
Email: [info@eoasaw.com](mailto:info@eoasaw.com)  
Website: [www.eoasaw.com](http://www.eoasaw.com)



### Item #54133, Amana Tool Carbide-Tipped Raised Panel for Shaker Door 2-3/16 Dia x 33/64 CH x 1/2 Inch Shank \$130.16

Thank you for shopping with us! Amana Tool Carbide-Tipped Raised Panel for Shaker Door 2-3/16 Dia x 33/64 CH x 1/2 Inch Shank If you'd like to reproduce exact Shaker details on your next project, we have the bits that you need. This Shaker door set creates a short step 20° beveled panel edge just like doors on Shaker originals. A simple thumbnail profile along the inside edges of the frame duplicates the original profile to complete the authentic look.



## SPECIFICATIONS

<b>Manufacturer</b>	Amana Tool
<b>Diameter</b>	2 13/16 in
<b>Cut Height, Length, or Width</b>	33/64 in

## SPECIFICATIONS

<b>Diameter (D1)</b>	1 in
<b>Flute</b>	2
<b>Material</b>	7/8\ Frame Material & 5/8" Panel Material""
<b>Overall Length</b>	2 1/64 in
<b>Shank</b>	1/2 in
<b>Type</b>	Raised Panel