

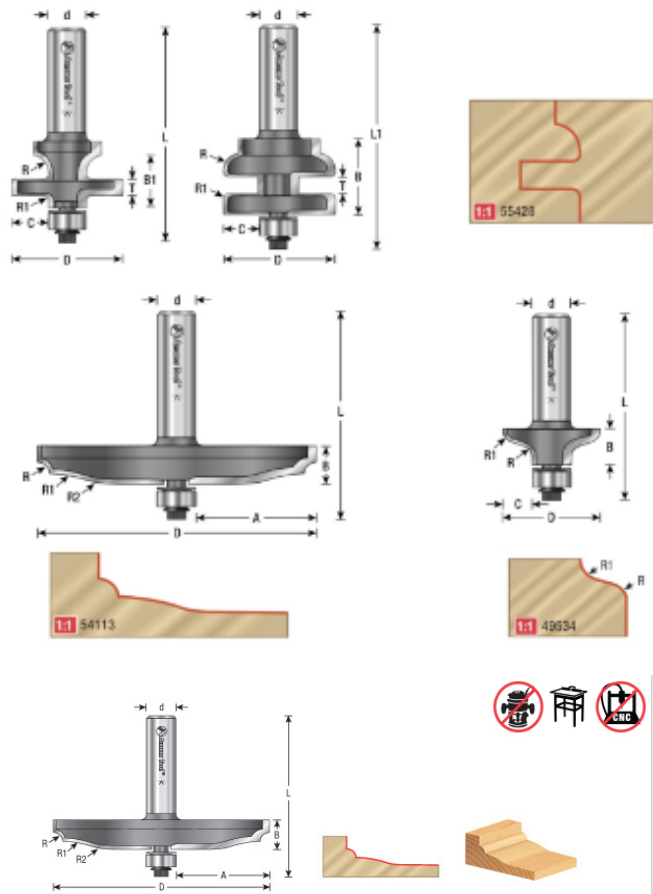
**Edge of Arlington Saw & Tool, Inc.**

124 South Collins  
 Arlington, TX 76010  
 Phone:817-461-7171 • Fax: 817-795-6651  
 Toll Free: 888-461-7171  
 Email: [info@eoasaw.com](mailto:info@eoasaw.com)  
 Website: [www.eoasaw.com](http://www.eoasaw.com)



**Item #54113, Amana Tool Carbide-Tipped Classical Raised Panel 5/32 Radius x 3-9/16" Dia x 1/2" CH x 1/2" Shank \$134.59**

Thank you for shopping with us! Amana Tool Carbide-Tipped Classical Raised Panel 5/32 Radius x 3-9/16" Dia x 1/2" CH x 1/2" Shank Create raised panels for cabinet doors, frame-and-panel furniture, and architectural paneling. The cutter forms a fillet to delineate the raised field, a shaped band around the field, and an integral tongue to fit the panel groove in the frame members. The profile contour and the reveal width varies. All tools have 1/2" shanks. Must be used in a table-mounted 3+ horsepower router and run at reduced speed. Use these bits for panels with curved edges. Multiple passes recommended.



54113

## SPECIFICATIONS

<b>Manufacturer</b>	Amana Tool
<b>Diameter</b>	3 9/16 in
<b>B1</b>	--
<b>Cut Height, Length, or Width</b>	1/2 in
<b>Cut Depth</b>	--
<b>Flute</b>	2 w/Bearing
<b>Overall Length</b>	2 1/4 in
<b>Radius</b>	5/32 in
<b>R1/Radius</b>	1 23/32 in
<b>Shank</b>	1/2 in
<b>R2/Radius</b>	57/64 in
<b>Type</b>	Raised Panel
<b>Bearing(s)</b>	47706