

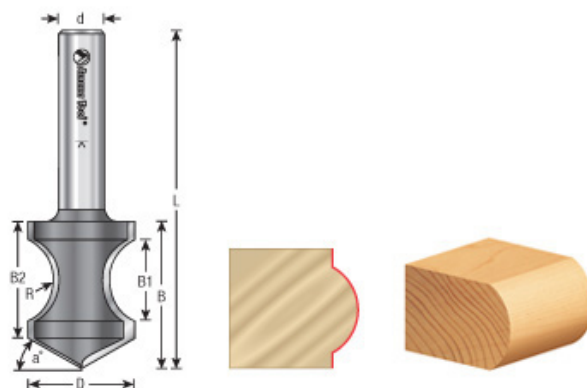
## Edge of Arlington Saw & Tool, Inc.

124 South Collins  
Arlington, TX 76010  
Phone: 817-461-7171 • Fax: 817-795-6651  
Toll Free: 888-461-7171  
Email: [info@eoasaw.com](mailto:info@eoasaw.com)  
Website: [www.eoasaw.com](http://www.eoasaw.com)



### Item #51590, Amana Tool Carbide-Tipped Hand Grip Plunge 1/2" Radius x 45° x 1-1/8" Dia x 1-9/16" x 1/2" Shank \$63.53

Thank you for shopping with us! Intended to form and to edge internal hand-holds and cutouts in a single pass, this bit will also cut a soft bullnose on any exposed edge. Use in a CNC or other automatic router. Plunge cuts on router table are not recommended.



## SPECIFICATIONS

<b>Manufacturer</b>	Amana Tool
<b>Diameter</b>	1 1/8 in
<b>B1</b>	7/8 in
<b>Cut Height, Length, or Width</b>	1 9/16 in
<b>Flute</b>	2
<b>Overall Length</b>	3 5/8 in
<b>Radius</b>	1/2 in
<b>Shank</b>	1/2 in
<b>Angle</b>	45 deg