

Edge of Arlington Saw & Tool, Inc.

124 South Collins
Arlington, TX 76010
Phone: 817-461-7171 • Fax: 817-795-6651
Toll Free: 888-461-7171
Email: info@eoasaw.com
Website: www.eoasaw.com

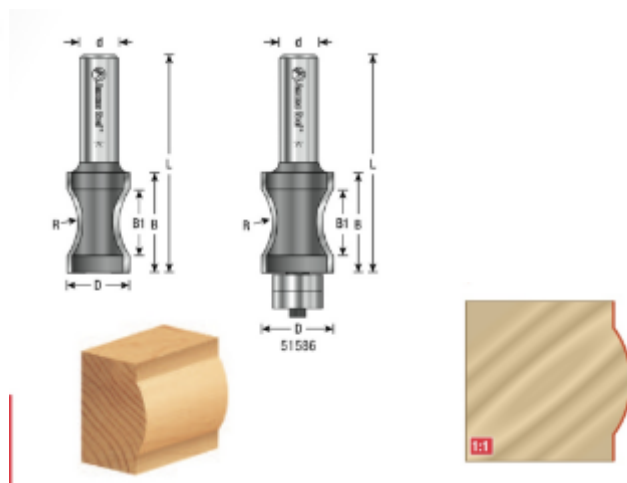


Item #51580, Amana Tool Carbide-Tipped Convex Edging 23/32 Radius x 13/16 Dia x 1/4 Inch Shank \$37.69

Thank you for shopping with us!

Amana Tool Carbide-Tipped Convex Edging 23/32 Radius x 13/16 Dia x 1/4 Inch Shank

Cuts a shallow arc—the fingernail shape—rather than a full 180° roundover. Like the bullnose radius bit, it has short flats above and below the cutter arc, which produce fillets on stock thicker than 7/8". Must be used with an edge guide on handheld routers, or the fence on a router table.



SPECIFICATIONS

Manufacturer	Amana Tool
Diameter	13/16 mm
B1	27/32 in
Cut Height, Length, or Width	1 1/4 in
Bearing(s)	--
Flute	2
Note	Cuts a shallow radius (thumbnail in shape) on board edges.
Overall Length	2 1/2 in
Radius	23/32 in

SPECIFICATIONS

Replacement Parts	--
Shank	1/4 in