

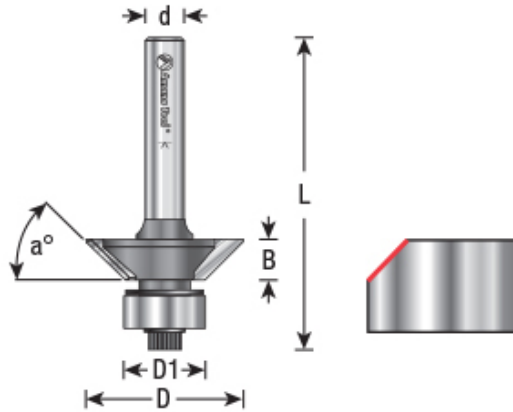
Edge of Arlington Saw & Tool, Inc.

124 South Collins
Arlington, TX 76010
Phone: 817-461-7171 • Fax: 817-795-6651
Toll Free: 888-461-7171
Email: info@eoasaw.com
Website: www.eoasaw.com



Item #51434-DLC, Amana Tool 45° 31/32" Dia x 1/4" CH x 1/4" Shank Aluminum & Plastic Cutting Bevel Trim Carbide-Tipped Router Bit: Diamond-Like Carbon **\$46.50**

Thank you for shopping with us! Amana Tool 45° 31/32" Dia x 1/4" CH x 1/4" Shank Aluminum & Plastic Cutting Bevel Trim Carbide-Tipped Router Bit: Diamond-Like Carbon Steel bodied carbide-tipped Diamond-Like Carbon (DLC) router bit for bevel trimming in aluminum and plastic with a standard router; DLC is a low-friction coating for aluminum and aluminum alloys with a longer tool edge life. The solid construction reduces vibration for the smoothest cut possible with a two flute bit. **Note:** Start at 12,000 RPM, inspect result, and increase the speed for a better surface, if necessary. Replacement bearing #47706



SPECIFICATIONS

Manufacturer	Amana Tool
Diameter	31/32 in
Cut Height, Length, or Width	1/4 in
Bearing(s)	47706
Diameter (D1)	.500 in
Flute	2
Overall Length	1 15/16 in
Shank	1/4 in
Angle	45 deg