

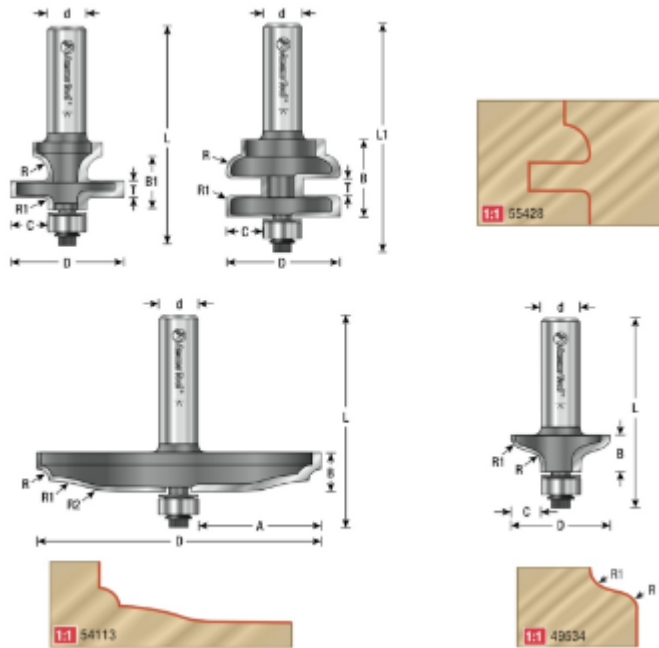
Edge of Arlington Saw & Tool, Inc.

124 South Collins
 Arlington, TX 76010
 Phone:817-461-7171 • Fax: 817-795-6651
 Toll Free: 888-461-7171
 Email: info@eoasaw.com
 Website: www.eoasaw.com



Item #49534, Amana Tool Carbide-Tipped Cabinet Door Edge - Front Face Edge - 1-1/4" Dia x 7/16" CH x 1/2" Shank \$65.33

Thank you for shopping with us! Amana Tool Carbide-Tipped Cabinet Door Edge - Front Face Edge - 1-1/4" Dia x 7/16" CH x 1/2" Shank Cuts a decorative edge on cabinet fronts. Shallow design will also work well with European hinges.



49534:

SPECIFICATIONS	
Manufacturer	Amana Tool
Diameter	1 1/4 in
B1	--
Cut Height, Length, or Width	7/16 in
Cut Depth	3/8 in
Flute	2 w/Bearing
Overall Length	1 15/16 in
Radius	7/32 in
R1/Radius	9/64 in

SPECIFICATIONS

Shank	1/2 in
R2/Radius	--
Type	Door Edge
Bearing(s)	47706