

Edge of Arlington Saw & Tool, Inc.

124 South Collins
Arlington, TX 76010
Phone: 817-461-7171 • Fax: 817-795-6651
Toll Free: 888-461-7171
Email: info@eoasaw.com
Website: www.eoasaw.com



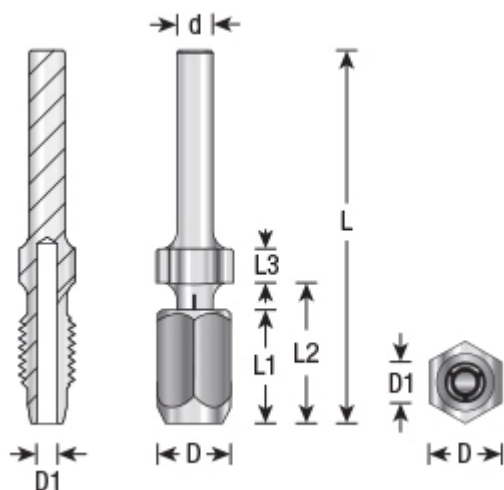
Item #47648, Amana Tool 1/4" Shank CNC Extension Adapter for 1/8" Shank Router Bits

\$44.51

Thank you for shopping with us!

CNC Extender Adapter made especially for 1/8" shank router bits. Total Indicated Run-out (TIR) is 0.00118" (0.03mm)

Warning: Max RPM 18,000



SPECIFICATIONS

Manufacturer	Amana Tool
Diameter	7/16 in
Diameter (D1)	1/8 in
Length	Length L1 19/32 in; Length L2 13/16 in; Length L3 1/4 in
Overall Length	2 1/4 in
RPM	Max RPM 18,000
Shank	1/4 in
Note	Router bit & chuck sold separately