

## Edge of Arlington Saw & Tool, Inc.

124 South Collins  
Arlington, TX 76010  
Phone: 817-461-7171 • Fax: 817-795-6651  
Toll Free: 888-461-7171  
Email: [info@eoasaw.com](mailto:info@eoasaw.com)  
Website: [www.eoasaw.com](http://www.eoasaw.com)

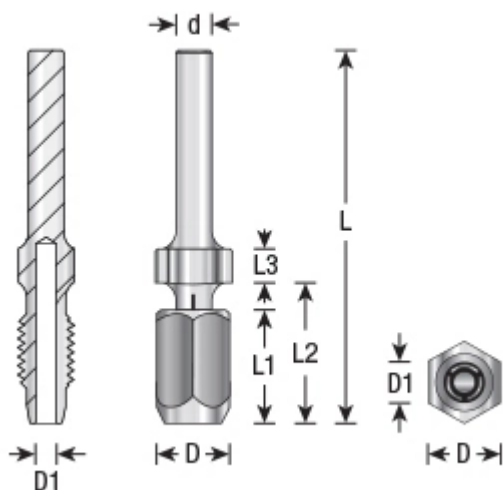
### Item #47642, Amana Tool 1/4" Shank CNC Extension Adapter for 1/4" Shank Router Bits

**\$41.51**

Thank you for shopping with us!

CNC Extender Adapter made especially for 1/8" shank router bits. Total Indicated Run-out (TIR) is 0.00118" (0.03mm)

**Warning:** Max RPM 18,000



#### SPECIFICATIONS

<b>Manufacturer</b>	Amana Tool
<b>Diameter</b>	5/8 in
<b>Diameter (D1)</b>	1/4 in
<b>Length</b>	Length L1 15/16 in; Length L2 1-3/16 in; Length L3 1/4 in
<b>Overall Length</b>	2 5/8 in
<b>RPM</b>	Max RPM 18,000
<b>Shank</b>	1/4 in
<b>Note</b>	Router bit & chuck sold separately