

Edge of Arlington Saw & Tool, Inc.

124 South Collins
Arlington, TX 76010
Phone: 817-461-7171 • Fax: 817-795-6651
Toll Free: 888-461-7171
Email: info@eoasaw.com
Website: www.eoasaw.com



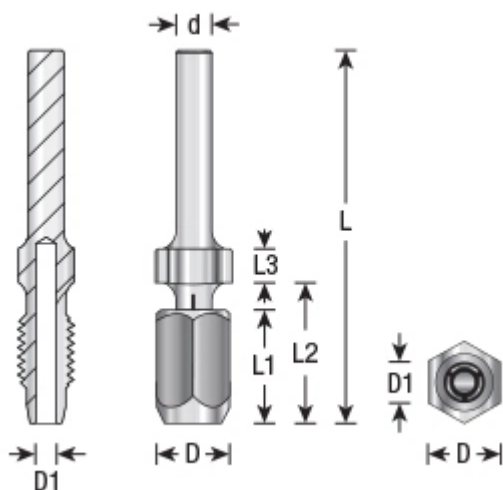
Item #47640, Amana Tool 1/2" Shank CNC Extension Adapter for 1/8" Shank Router Bits

\$41.10

Thank you for shopping with us!

CNC Extender Adapter made especially for 1/8" shank router bits. Total Indicated Run-out (TIR) is 0.00118" (0.03mm)

Warning: Max RPM 18,000



SPECIFICATIONS

Manufacturer	Amana Tool
Diameter	3/4 in
Diameter (D1)	1/4 in
Length	Length L1 1-1/4 in; Length L2 1-15/32 in; Length L3 5/16 in
Overall Length	3 7/16 in
RPM	Max RPM 18,000
Shank	1/2 in
Note	Router bit & chuck sold separately