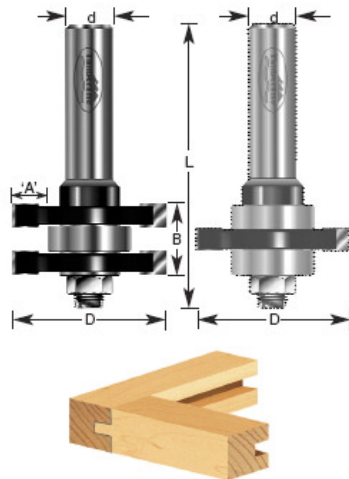


Edge of Arlington Saw & Tool, Inc.

124 South Collins
Arlington, TX 76010
Phone: 817-461-7171 • Fax: 817-795-6651
Toll Free: 888-461-7171
Email: info@eoasaw.com
Website: www.eoasaw.com



Item #460-10, Amana Professional Quality Tongue & Groove Assembly \$51.21

Thank you for shopping with us! One bit set includes: 2 cutters, 2 bearings, and 1 arbor For 5/8" materials 1/2" Shank 2 Flute with ball bearing guide Professional Quality Carbide-Tipped Use in a table-mounted router. Not for use in a handheld router!

SPECIFICATIONS

Manufacturer	Amana Tool
Diameter	1 5/8 in
Bearing(s)	47708, Amana Tool Steel Ball Bearing Guide 7/8 Overall Dia x 5/16 Inner Dia x 9/32 Height
Cut Depth	3/8 in
Cut Height, Length, or Width	3/4 in
Flute	2
Includes	2 cutters, 2 bearings, and 1 arbor
Overall Length	3 in
RPM	18,000
Shank	1/2 in