

Edge of Arlington Saw & Tool, Inc.

124 South Collins
Arlington, TX 76010
Phone: 817-461-7171 • Fax: 817-795-6651
Toll Free: 888-461-7171
Email: info@eoasaw.com
Website: www.eoasaw.com



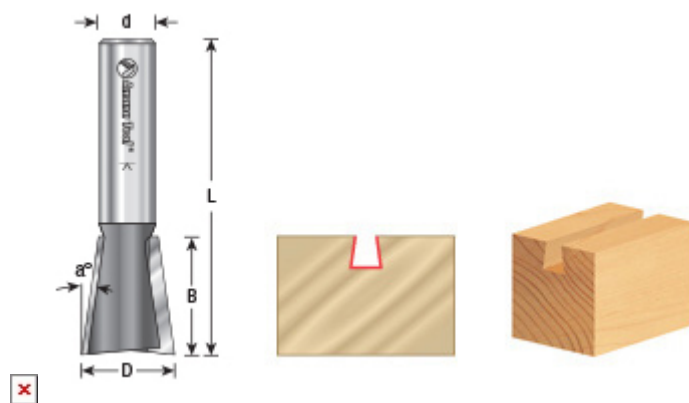
Item #45829, Amana Tool 8° Angle Dovetail Carbide-Tipped 11/16" D x 1.025" CH x 1/2" Shk Bit for Leigh #90 **\$20.18**

Thank you for shopping with us!

MAKE CLEAN & BEAUTIFUL DOVETAIL JOINTS!

The dovetail joint is the strongest construction method for drawers, boxes, chests, and fine casework. Amana Tool designs the bits needed by many router dovetail jigs that require cutting half-blind and through dovetails. We carry the bits for name-brand dovetail jigs, including Leigh, Keller™, Omnijig, and Incra.

These 8° dovetail bits are designed especially for use with the Leigh Dovetail Jig.



SPECIFICATIONS

Manufacturer	Amana Tool
Application	Leigh #90
Diameter	11/16 in
Cut Height, Length, or Width	1.025 in
Overall Length	3 in
Shank	1/2 in
Angle	8 deg