

Edge of Arlington Saw & Tool, Inc.

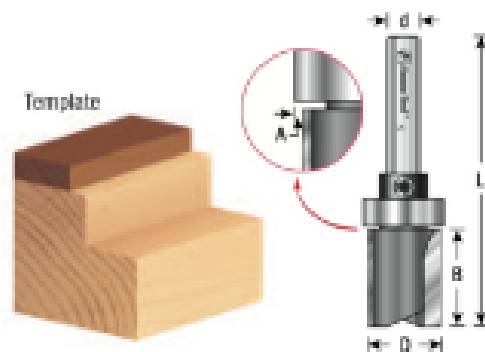
124 South Collins
Arlington, TX 76010
Phone: 817-461-7171 • Fax: 817-795-6651
Toll Free: 888-461-7171
Email: info@eoasaw.com
Website: www.eoasaw.com



Item #45496, Amana Tool Carbide-Tipped Flush Trim Plunge Template 1/2" Dia x 1/4" x 1/4" Shank w/ Oversized Upper Ball Bearing

\$37.99

Thank you for shopping with us!. For template use with specified jigs.
Replacement collar #47724



SPECIFICATIONS

Manufacturer	Amana Tool
Diameter	1/2 in
Usage/System	Jigs: Hinge-Mate II Template
Cut Depth	1/8 in
Cut Height, Length, or Width	1/4 in
Flute	2 w/Oversized Bearing
Overall Length	1 7/8 in
Replacement Parts	Collar 47724
Shank	1/4 in
Bearing(s)	47714