

Edge of Arlington Saw & Tool, Inc.

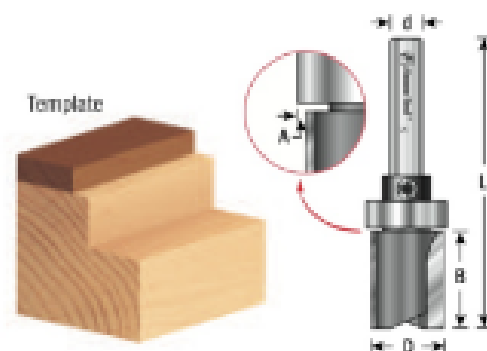
124 South Collins
Arlington, TX 76010
Phone:817-461-7171 • Fax: 817-795-6651
Toll Free: 888-461-7171
Email: info@eoasaw.com
Website: www.eoasaw.com



Item #45484, Amana Tool Carbide-Tipped Flush Trim Plunge Template 1/2" Dia x 3/8" x 1/4" Shank w/ Oversized Upper Ball Bearing

\$27.56

Thank you for shopping with us!. For template use with specified jigs. Replacement collar #47724



SPECIFICATIONS

Manufacturer	Amana Tool
Diameter	1/2 in
Usage/System	Jigs: Replacement for \Porter-Cable bit #43671 one piece. For mortising of doors to accept hinge butts with Porter-Cable Kit model #59370 for 3\''', 3 1/2\''''
Cut Depth	1/16 in
Cut Height, Length, or Width	3/8 in
Flute	2 w/Oversized Bearing
Overall Length	2 1/2 in
Replacement Parts	Collar 47724
Shank	1/4 in
Bearing(s)	47712