

## Edge of Arlington Saw & Tool, Inc.

124 South Collins  
Arlington, TX 76010  
Phone: 817-461-7171 • Fax: 817-795-6651  
Toll Free: 888-461-7171  
Email: [info@eoasaw.com](mailto:info@eoasaw.com)  
Website: [www.eoasaw.com](http://www.eoasaw.com)

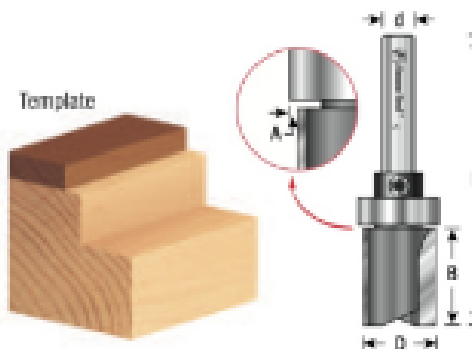


### Item #45372, Amana Tool Carbide-Tipped Flush Trim Plunge Template 9/16" Dia x 9/16" x 1/4" Shank w/ Oversized Upper Ball Bearing \$32.06

Thank you for shopping with us!.

For template use with specified jigs.

Replacement collar #47724



SPECIFICATIONS	
<b>Manufacturer</b>	Amana Tool
<b>Diameter</b>	9/16 in
<b>Usage/System</b>	--
<b>Cut Depth</b>	1/32 in
<b>Cut Height, Length, or Width</b>	9/16 in
<b>Flute</b>	2 w/Oversized Bearing
<b>Overall Length</b>	2 5/16 in
<b>Replacement Parts</b>	Collar 47724
<b>Shank</b>	1/4 in
<b>Bearing(s)</b>	47712