

Edge of Arlington Saw & Tool, Inc.

124 South Collins
Arlington, TX 76010
Phone: 817-461-7171 • Fax: 817-795-6651
Toll Free: 888-461-7171
Email: info@eoasaw.com
Website: www.eoasaw.com

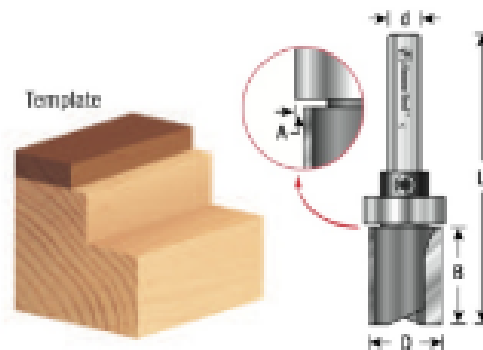


Item #45371, Amana Tool Carbide-Tipped Flush Trim Plunge Template 5/16" Dia x 1" x 1/4" Shank w/ Oversized Upper Ball Bearing \$41.10

Thank you for shopping with us!

For template use with specified jigs.

Replacement collar #47724



SPECIFICATIONS

Manufacturer	Amana Tool
Diameter	5/16 in
Usage/System	Jigs: Porter-Cable, Morten, Morten & Tenon, Omnijig
Cut Depth	3/32 in
Cut Height, Length, or Width	1 in
Flute	2 w/Oversized Bearing
Overall Length	2 23/32 in
Replacement Parts	Collar 47724
Shank	1/4 in
Bearing(s)	47701