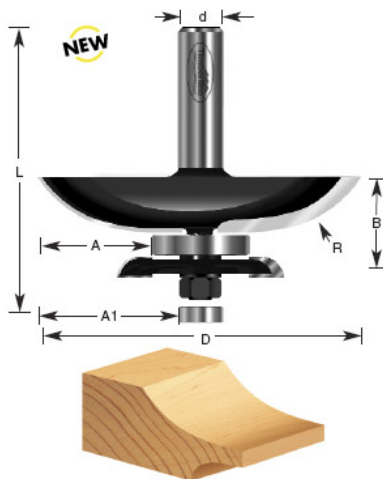


Edge of Arlington Saw & Tool, Inc.

124 South Collins
Arlington, TX 76010
Phone:817-461-7171 • Fax: 817-795-6651
Toll Free: 888-461-7171
Email: info@eoasaw.com
Website: www.eoasaw.com



Item #420-52, Amana Professional Quality Raised Panel Cove W/Back Cutter Router Bits \$119.25

Thank you for shopping with us! . Create raised panels for cabinet doors, frame and panel furniture, and architectural paneling with a raised panel bit. The back cutter on a raised panel bit makes the panel flush with the back of the door frame and it ensures a precise fit between the panel edge and groove. 1/2" Shank 2 Flute with ball bearing guide Professional Quality Carbide-Tipped Not for use in a handheld router!

SPECIFICATIONS

Manufacturer	Amana Tool
Diameter	3 1/2 in
Bearing(s)	47763, Amana Tool 5/16 ID x 1-1/4 OD x .196 Thick Steel Ball Bearing Guide 47708, Amana Tool Steel Ball Bearing Guide 7/8 Overall Dia x 5/16 Inner Dia x 9/32 Height
Cut Depth	1 1/8 in
Cut Height, Length, or Width	1 1/4 in
Note	Bearing 47708 (7/8x5/16 in) for A in reveal; Bearing 47763 (8mmx1 1/4 in) included for A1 in reveal.
Overall Length	3 1/16 in
Radius	1 37/64 in
Reveal	1 29/64 in
RPM	12,000
Shank	1/2 in