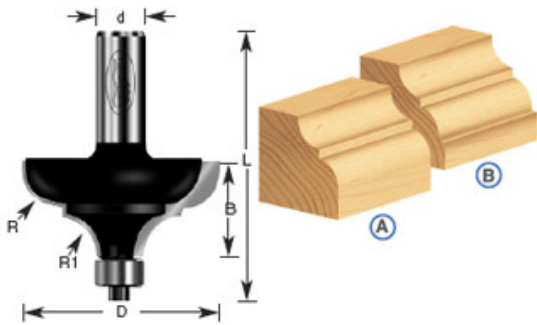


Edge of Arlington Saw & Tool, Inc.

124 South Collins
Arlington, TX 76010
Phone: 817-461-7171 • Fax: 817-795-6651
Toll Free: 888-461-7171
Email: info@eoasaw.com
Website: www.eoasaw.com



(A) - Standard 1/2" bearing #47706 (included)
(B) - Optional 3/8" bearing #47702 (order separately)

Item #400-18, Amana Professional Quality Classical Cove & Bead Router Bits \$44.91

Thank you for shopping with us!

" A " standard 1/2" bearing 47706 included; " B " optional
3/8" bearing #47702 order separately

1/2" Shank
2 Flute With Ball Bearing Guide
Professional Quality Carbide-Tipped

SPECIFICATIONS

Manufacturer	Amana Tool
Diameter	1 3/8 in
Cut Height, Length, or Width	11/16 in
Bearing(s)	47706 for A included; 47702 for B order separately
Flute	2
Overall Length	2 9/16 in
Radius	1/4 in
R1/Radius	3/16 in
Shank	1/2 in