

Edge of Arlington Saw & Tool, Inc.

124 South Collins
Arlington, TX 76010
Phone: 817-461-7171 • Fax: 817-795-6651
Toll Free: 888-461-7171
Email: info@eoasaw.com
Website: www.eoasaw.com



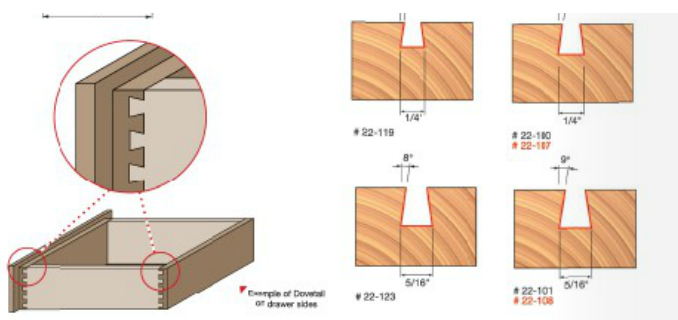
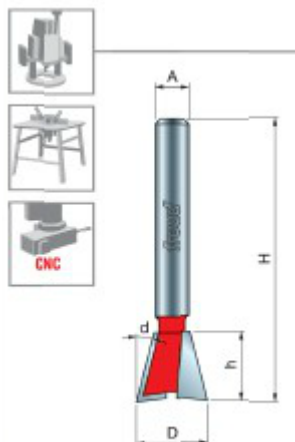
Item #22-106, Freud Dovetail Bit \$22.21

Thank you for shopping with us!

Application: Strong, attractive joints for drawers and boxes

- Compatible with popular dovetail jigs, these bits produce smooth, intricate dovetail joints
- Cuts all composition materials, plywoods, hardwoods, and softwoods
- Use on CNC and other automatic routers as well as hand-held and table-mounted portable routers

22-106



SPECIFICATIONS

Manufacturer	Freud Tools
Diameter	3/4 in
Cut Height, Length, or Width	7/8 in
Overall Length	2 1/8 in
Shank	1/4 in

SPECIFICATIONS

Angle

7 deg