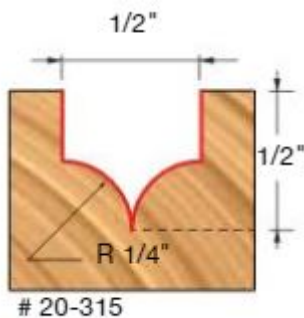


Edge of Arlington Saw & Tool, Inc.

124 South Collins
Arlington, TX 76010
Phone: 817-461-7171 • Fax: 817-795-6651
Toll Free: 888-461-7171
Email: info@eoasaw.com
Website: www.eoasaw.com



Item #20-315, Freud Radius " V" Grooving Bit \$32.54

Thank you for shopping with us! **Application:** Signmaking, Lettering, 2D & 3D Carving, Decorative Grooves • Radius V-Groove Bits give your workpiece a V-Groove shape with rounded top edges • Designed to cut deep or shallow V-grooves • Cuts all composition materials, plywoods, hardwoods, and softwoods • Use on CNC and other automatic routers as well as hand-held and table-mounted portable routers

SPECIFICATIONS	
Manufacturer	Freud Tools
Diameter	1/2 in
Cut Height, Length, or Width	1/2 in
Overall Length	2 in
Radius	1/4 in
Shank	1/4 in