

## Edge of Arlington Saw & Tool, Inc.

124 South Collins  
Arlington, TX 76010  
Phone: 817-461-7171 • Fax: 817-795-6651  
Toll Free: 888-461-7171  
Email: [info@eoasaw.com](mailto:info@eoasaw.com)  
Website: [www.eoasaw.com](http://www.eoasaw.com)



### Item #20-174, Freud Lettering Bits

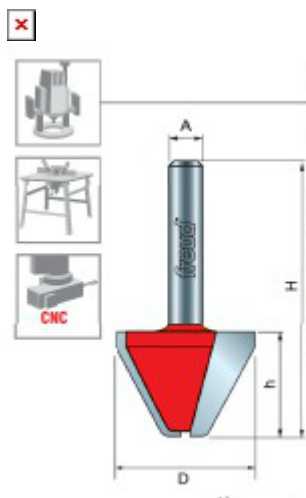
**\$31.60**

Thank you for shopping with us!

#### Application: 60-degree angle for relief lettering

- Ideal for creating letters for signs, these bits produce a 60° angle for highly readable relief lettering. The flattened end removes excess material between letters quickly.
- Cuts all composition materials, plywoods, hardwoods, and softwoods.
- Use on CNC and other automatic routers as well as hand-held and table-mounted portable routers.

20-174



## SPECIFICATIONS

<b>Cut Height, Length, or Width</b>	3/4 in
<b>Overall Length</b>	2 1/4 in
<b>Radius</b>	1/8 in
<b>Shank</b>	1/2 in
<b>Manufacturer</b>	Freud Tools