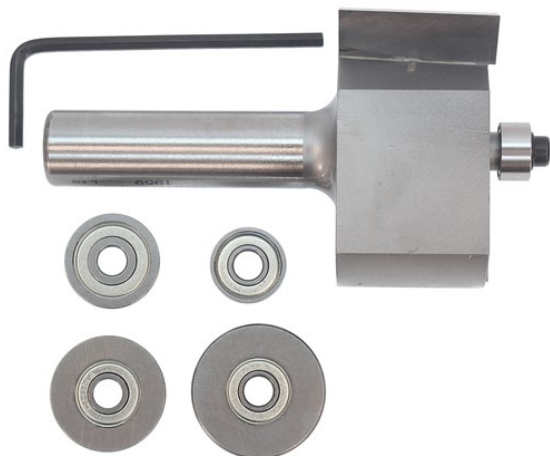


Edge of Arlington Saw & Tool, Inc.

124 South Collins
Arlington, TX 76010
Phone: 817-461-7171 • Fax: 817-795-6651
Toll Free: 888-461-7171
Email: info@eoasaw.com
Website: www.eoasaw.com



Item #1960, Whiteside Machine Deep Multi-Rabet Bit Set \$80.91

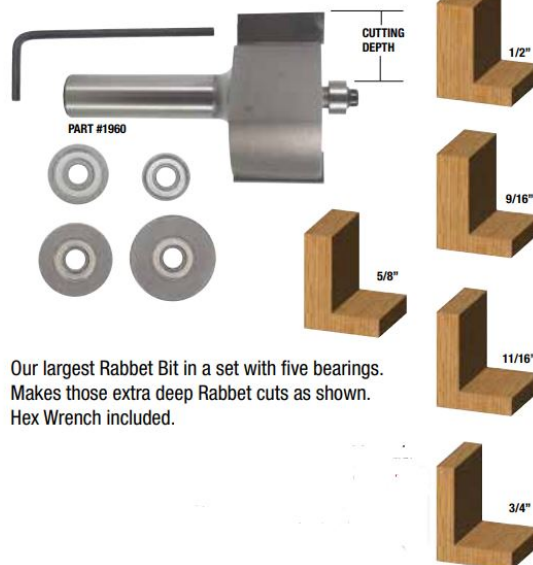
Thank you for shopping with us!

Our largest Rabet Bit in a set with five bearings. Makes those extra deep 1/2", 9/16", 5/8", 11/16", and 3/4" Rabet cuts. Hex Wrench included. Set is organized and protected in a plastic case.

Materials: Natural woods, composite woods, hard plastics

Recommended RPM: 12,000-14,000 (max 16,000)

DEEP MULTI RABET SET



Our largest Rabet Bit in a set with five bearings. Makes those extra deep Rabet cuts as shown. Hex Wrench included.

SPECIFICATIONS

Cut Height, Length, or Width	1 in cutting length
Manufacturer	Whiteside Machine
Large Diameter	1 7/8 in
Part Descp.	1/2 in Shank Deep Multi Rabet Set. Hex Wrench Included.
RPM	12,000-14,000 (max 16,000)