

Edge of Arlington Saw & Tool, Inc.

124 South Collins
 Arlington, TX 76010
 Phone:817-461-7171 • Fax: 817-795-6651
 Toll Free: 888-461-7171
 Email: info@eoasaw.com
 Website: www.eoasaw.com

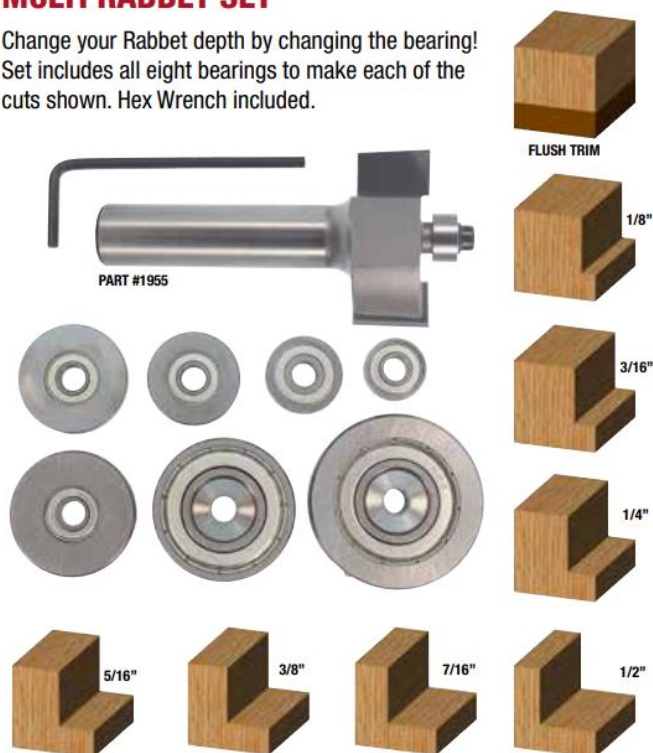


Item #1955, Whiteside Machine 1/2" Shank Multi Rabbet Set
\$69.01

Thank you for shopping with us! Change your Rabbet depth by changing the bearing! This 1/2" set includes all eight bearings to make 1/8" , 3/16" , 1/4" , 1/2" , 7/16" , 3/8" , 5/16" , and flush trim cuts. Hex wrench included. Set is organized and protected in a plastic case.

MULTI RABBET SET

Change your Rabbet depth by changing the bearing!
 Set includes all eight bearings to make each of the cuts shown. Hex Wrench included.



Wood blocks are not to scale.

SPECIFICATIONS

Manufacturer	Whiteside Machine
Cut Height, Length, or Width	1/2 in
Large Diameter	1-3/8 in
RPM	13,000-15,000 (max 18,000)
Shank	1/2 in