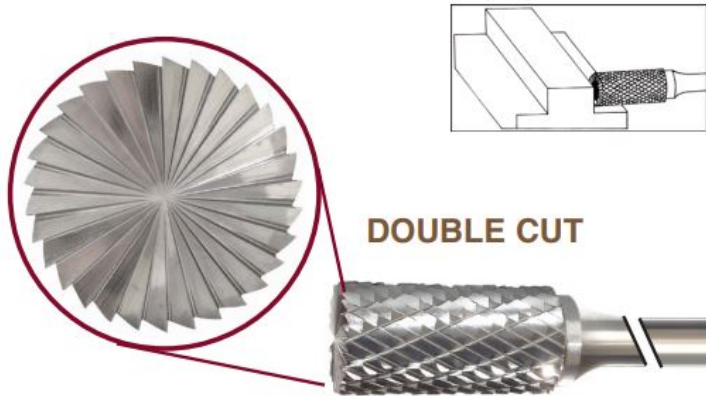


Edge of Arlington Saw & Tool, Inc.

124 South Collins
Arlington, TX 76010
Phone: 817-461-7171 • Fax: 817-795-6651
Toll Free: 888-461-7171
Email: info@eoasaw.com
Website: www.eoasaw.com

Application: Peripheral Milling & Face Milling



Item #17529, Viking Drill & Tool SB Cylinder Shape With End Cut - Double Cut: Peripheral Milling & Face Milling
\$31.02

Thank you for shopping with us!

Application: Peripheral Milling & Face Milling



SPECIFICATIONS

| | |
|-------------------------------------|--|
| Manufacturer | Viking Drill & Tool |
| Diameter | 3/8 in Cut Dia |
| Cut Height, Length, or Width | 1 in Cut Length |
| Shank | 1/4 in |
| Size | SB-3L |
| Type | Cylinder Shape, With End Cut, Double Cut |