

Edge of Arlington Saw & Tool, Inc.

124 South Collins

Arlington, TX 76010

Phone:817-461-7171 • Fax: 817-795-6651

Toll Free: 888-461-7171

Email: info@eoasaw.com

Website: www.eoasaw.com



Item #12-530, Freud Double Flute Straight Bit - Metric Version - Eclipse Grind
\$27.69

Thank you for shopping with us!

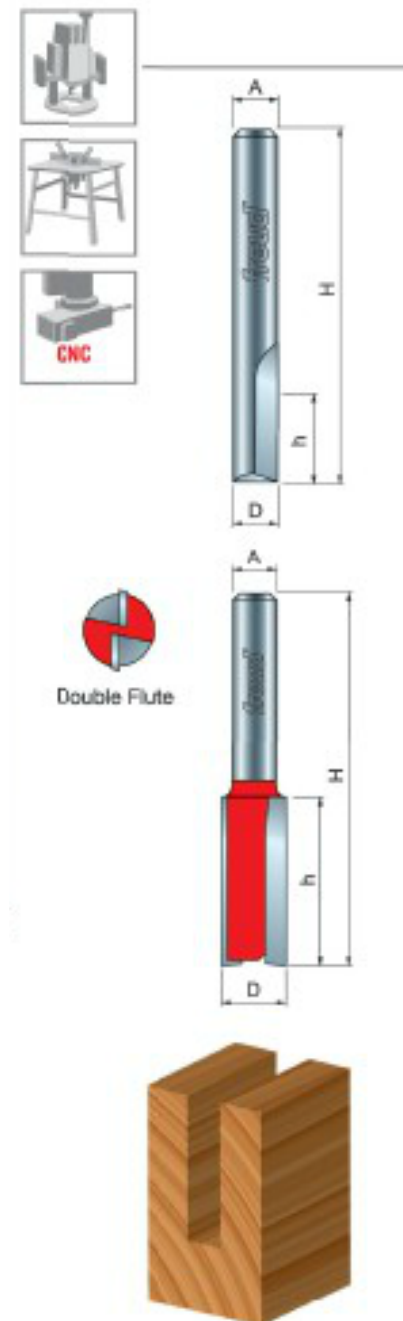
Application: General stock removal with a smooth finish.

- Freud straight bits cut smoother than other bits because of the precise shear and hook angles. End of bit relief allows for fast plunging.
- Cuts all composite materials, plywoods, hardwoods, and softwoods.
- Use on CNC and other automatic routers as well as hand-held and table-mounted portable routers.

Ideal For: grooving and edge-routing applications



12-530



SPECIFICATIONS

Manufacturer

Freud Tools

Diameter

12 mm

SPECIFICATIONS

Cut Height, Length, or Width

1 1/4 in

Note

Metric Version, Eclipse Grind

Overall Length

2 3/4 in

Shank

1/2 in