

**Edge of Arlington Saw & Tool, Inc.**

124 South Collins

Arlington, TX 76010

Phone:817-461-7171 • Fax: 817-795-6651

Toll Free: 888-461-7171

Email: [info@eoasaw.com](mailto:info@eoasaw.com)

Website: [www.eoasaw.com](http://www.eoasaw.com)

---



**Item #04-126, Freud Double Flute Straight Bit - Eclipse Grind**  
**\$19.53**

Thank you for shopping with us!

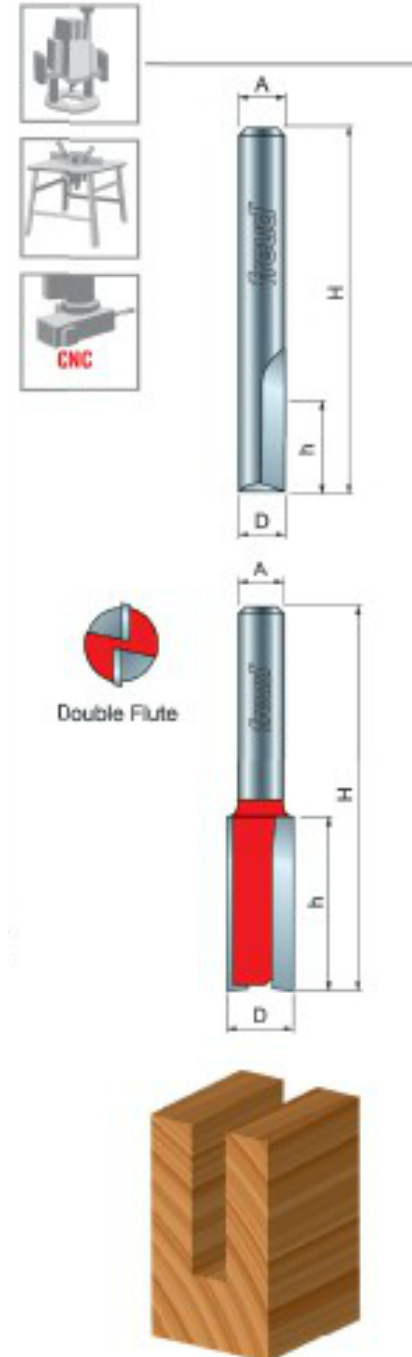
**Application:** General stock removal with a smooth finish.

- Freud straight bits cut smoother than other bits because of the precise shear and hook angles. End of bit relief allows for fast plunging.
- Cuts all composite materials, plywoods, hardwoods, and softwoods.
- Use on CNC and other automatic routers as well as hand-held and table-mounted portable routers.

Ideal For: grooving and edge-routing applications



04-126



## SPECIFICATIONS

**Manufacturer**

Freud Tools

## SPECIFICATIONS

<b>Diameter</b>	3/8 in
<b>Cut Height, Length, or Width</b>	1 1/4 in
<b>Note</b>	Eclipse Grind
<b>Overall Length</b>	2 11/16 in
<b>Shank</b>	1/4 in