

Edge of Arlington Saw & Tool, Inc.

124 South Collins

Arlington, TX 76010

Phone: 817-461-7171 • Fax: 817-795-6651

Toll Free: 888-461-7171

Email: info@eoasaw.com

Website: www.eoasaw.com



Amana Tool Raised Panel Insert Carbide 2-Flute Ogee

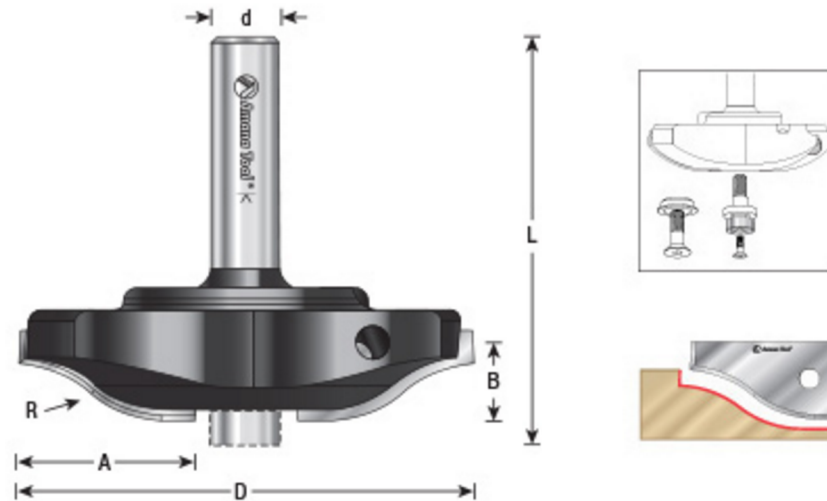
Thank you for shopping with us!

Insert raised panel bit for CNC machine or router table. Bits include ball bearing and anti-dust plug. May also be used with optional back cutter ([see RC-4102](#)).

Includes plug, ball bearing, and retaining screw.

Replacement bearing #47706

Remove bearing before CNC use.



Item #	Bearing(s)	Cut Depth	Cut Height, Length, or Width	Flute	Overall Length	Radius	Shank	Price
--------	------------	-----------	------------------------------	-------	----------------	--------	-------	-------